



Finnpipette® F1 Single Channel Variable & Fixed Volume Multichannel

**Instructions for Use
Bedienungsanleitung
Guide d'utilisation
Instrucciones de uso
取扱説明書**

This product complies with the European Union Directive 98/79/EC, and it is marked with a CE-marking.

When the product is used in applications related to the directive 98/79/EC, read the additional information at www.thermofisher.com or contact the manufacturer at info.pipettes@thermofisher.com to ensure correct and safe use.

The CE-mark covers the system containing the CE-marked Finnpiquette F1 pipette and the CE-marked Finntips.

Product specifications are subject to change without prior notice. Finnpiquette® and Finntip® are registered trademarks of Thermo Fisher Scientific Oy.

Dieses Produkt entspricht der Europäischen Richtlinie 98/79/EG und ist mit dem CE-Symbol gekennzeichnet.

Sollte das Produkt in Anwendungen verwendet werden, die in Verbindung zur Direktive 98/79/EC stehen, lesen Sie die Zusatzinformationen auf www.thermofisher.com oder kontaktieren Sie den Hersteller unter info.pipettes@thermofisher.com, um die richtige und sichere Verwendung zu gewährleisten.

Die CE-Kennzeichnung bezieht sich auf die Kombination der Finnpiquette F1 mit Finntip-Pipettenspitzen.

Wir behalten uns das Recht auf unangekündigte Änderungen der Produktspezifikationen vor. Finnpiquette® und Finntip® sind eingetragene Warenzeichen der Fa. Thermo Fisher Scientific Oy.

Ce produit est conforme à la directive de l'Union européenne 98/79/CE et porte le marquage CE.

Lorsque le produit est utilisé pour des applications relatives à la directive 98/79/EC, veuillez prendre connaissance des informations complémentaires à www.thermofisher.com ou contacter le constructeur à info.pipettes@thermofisher.com. Ceci pour garantir un usage adéquat et sûr.

Le marquage CE s'applique au système comprenant la Finnpiquette F1 et les cônes Finntip.

Les spécifications du produit sont sujettes à modification sans avis préalable. Finnpiquette® et Finntip® sont des marques déposées de Thermo Fisher Scientific Oy.

Este producto cumple la Directiva de la Unión Europea 98/79/CE y presenta el marcado CE. Cuando el producto sea usado en aplicaciones afectadas por la directiva 98/79/EC, por favor, lea la información adicional en www.thermofisher.com o contacte con el fabricante en info.pipettes@thermofisher.com para asegurar su uso correcto y seguro.

El marcado CE corresponde al sistema que contiene la pipeta Finnpiquette F1 con el marcado CE y las puntas de pipeta Finntip con marcado CE.

Las especificaciones del producto pueden cambiar sin previo aviso. Finnpiquette® y Finntip® son marcas registradas de Thermo Fisher Scientific Oy.

本製品は欧州指令98/79/ECに準拠しており、CEマーキングが付いています。製品を指令98/79/ECに関連するアプリケーションで使用するときは、適切で安全にご使用いただくため、www.thermofisher.com に掲載の追加情報をお読みになるか、製造元info.pipettes@thermofisher.com にお問い合わせください。

CEマークは、CEマークの付いた Finnpiquette F1ピペットおよびCEマークの付いた Finntipピペットチップを含むシステムを対象としています。

製品仕様は事前の予告なく変更されることがあります。フィンピペット®とフィンチップ®は、サーモフィッシャーサイエンティフィックの登録商標です。

CONTENTS

PRODUCT DESCRIPTION	4
PACKAGE	5
SAFETY	5
PIPETTE OPERATION	6
PIPETTING TECHNIQUES	7
CALIBRATION AND ADJUSTMENT	8
MAINTENANCE	12
TROUBLE SHOOTING	14
SPARE PARTS	63-71

INHALT

PRODUKTBESCHREIBUNG	15
PACKUNGSINHALT	16
SICHERHEIT	16
BEDIENUNG DER PIPETTE	17
PIPETTIERMETHODEN	18
KALIBRIERUNG UND JUSTIERUNG	19
WARTUNG	23
FEHLERBEHEBUNG	26
ERSATZTEILE UND ZUBEHÖR	63-71

SOMMAIRE

DESCRIPTION DU PRODUIT	27
CONDITIONNEMENT	28
CONSIGNES DE SÉCURITÉ	28
UTILISATION DE LA PIPETTE	29
MÉTHODES DE PIPETAGE	30
CALIBRAGE	31
ENTRETIEN	35
EN CAS DE PROBLEME	37
PIÈCES DÉTACHÉES	63-71

CONTENIDO

DESCRIPCIÓN DEL PRODUCTO	38
PAQUETE	38
SEGURIDAD	38
USO DE LA PIPETA	40
TÉCNICAS DE PIPETEO	41
CALIBRACIÓN Y AJUSTE	42
MANTENIMIENTO	46
SOLUCIÓN DE PROBLEMAS	49
PIEZAS DE RECAMBIO	63-71

目次

製品について	50
パッケージ	51
安全にお使いいただくために	51
ピペットの操作	52
ピペッティングテクニック	53
キャリブレーション	54
メンテナンス	58
トラブルシューティング	60
保証規定	62
パーツ及び付属品	63-71

Product description

The Finnpiquette F1 is a continuously adjustable, general purpose micropipette for sampling and dispensing accurate liquid volumes.

It operates on an air displacement principle (i.e. an air interface) and uses detachable, disposable tips. The adjusted delivery volume is displayed digitally on a readout window in the handle.

The fourteen different models of Finnpiquette F1 pipettes cover a volume range from 0,2 µl to 10 ml.

Order No.	Volume Range	Color code	Finntip
4641010N	0,2 µl to 2 µl	pink	Flex 10, 10, 20, 50
4641020N	0,5 µl to 5 µl	pink	Flex 10, 10, 20, 50
4641030N	1 µl to 10 µl	pink	Flex 10, 10, 20, 50
4641040N	1 µl to 10 µl	yellow	Flex 200, 250 Univ., 200 Ext, 300, Flex 300
4641050N	2 µl to 20 µl	turquoise	50
4641060N	2 µl to 20 µl	yellow	Flex 200, 250 Univ., 200 Ext, 300, Flex 300
4641130N	5 µl to 50 µl	turquoise	50
4641140N	5 µl to 50 µl	yellow	Flex 200, 250 Univ., 200 Ext, 300, Flex 300
4641070N	10 µl to 100 µl	yellow	Flex 200, 250 Univ., 200 Ext, 300, Flex 300
4641080N	20 µl to 200 µl	yellow	Flex 200, 250 Univ., 200 Ext, 300, Flex 300
4641090N	30 µl to 300 µl	orange	Flex 300, 300
4641100N	100 µl to 1000 µl	blue	Flex 1000, 1000, 1000 Ext
4641110N	0,5 ml to 5 ml	green	5 ml
4641120N	1 ml to 10 ml	red	10 ml, Flex 10 ml Ext

The thirteen different models of Finnpiquette F1 Fixed Volume pipettes cover a volume range from 1 µl to 10 ml.

Order No.	Volume Range	Color code	Finntip
4651020N	10 µl	dark blue	Flex 200, 250 Univ., 200 Ext, 300, Flex 300
4651130N	20 µl	dark blue	Flex 200, 250 Univ., 200 Ext, 300, Flex 300
4651030N	25 µl	dark blue	Flex 200, 250 Univ., 200 Ext, 300, Flex 300
4651040N	50 µl	dark blue	Flex 200, 250 Univ., 200 Ext, 300, Flex 300
4651050N	100 µl	dark blue	Flex 200, 250 Univ., 200 Ext, 300, Flex 300
4651140N	200 µl	dark blue	Flex 200, 250 Univ., 200 Ext, 300, Flex 300
4651060N	250 µl	dark blue	Flex 1000, 1000, 1000 Ext
4651070N	500 µl	dark blue	Flex 1000, 1000, 1000 Ext
4651080N	1000 µl	dark blue	Flex 1000, 1000, 1000 Ext
4651090N	2000 µl	dark blue	5 ml
4651100N	3000 µl	dark blue	5 ml
4651110N	5000 µl	dark blue	5 ml
4651120N	10000 µl	dark blue	10 ml, Flex 10 ml Ext

The ten different models of Finnpiquette F1 Multichannel pipettes cover a volume range from 1 µl to 300 µl.

Order No.	Channel	Volume Range	Color code	Finntip
4661000N	8	1 µl to 10 µl	pink	Flex 10, 10, 20, 50
4661010N	8	5 µl to 50 µl	yellow	Flex 200, 250 Univ., 200 Ext, 300, Flex 300
4661020N	8	10 µl to 100 µl	yellow	Flex 200, 250 Univ., 200 Ext, 300, Flex 300
4661030N	8	30 µl to 300 µl	orange	Flex 300, 300
4661040N	12	1 µl to 10 µl	pink	Flex 10, 10, 20, 50
4661050N	12	5 µl to 50 µl	yellow	Flex 200, 250 Univ., 200 Ext, 300, Flex 300
4661060N	12	10 µl to 100 µl	yellow	Flex 200, 250 Univ., 200 Ext, 300, Flex 300
4661070N	12	30 µl to 300 µl	orange	Flex 300, 300
4661080N	16	1 µl to 10 µl	purple	20
4661090N	16	5 µl to 50 µl	turquoise	50

Digital display

The adjusted delivery volume is clearly indicated in the large digital display on the handle.



Raw materials

The Finn timer F1 is made of mechanically durable and chemically resistant materials.

For waste disposal instructions, please contact your local environmental agency. For more information, please contact us at info.pipettes@thermofisher.com.

Description of tips

Finntips are recommended for use with the Finn timer F1.


They are made of virgin natural colour polypropylene, generally regarded as the only contamination free material suitable for tips. Finntips are also autoclavable (121°C).

Package

The Finn timer F1 is shipped in a specially designed package containing the following items:

1. The Finn timer
2. Service tool
3. Multichannel service tool
4. Finntip sample
5. Tube of grease (**Order No. 2203130**)
6. Instruction manual
7. Calibration certificate / Warranty certificate
8. Shelf hanger (**Order No. 2206040**)
9. Two stickers

Safety

Cautions are marked with this symbol .

Intended use

The intended use of the device is to transfer liquids in the volume range of 0,2 µl to 10 ml. The F1 Finn timer pipette and Finntips are designed as a component of an analyzing system for an end user, who is responsible for validating the system to ensure reliable and safe results.



Damage to health

- ▶ Follow general procedures for hazard prevention and safety instructions; e.g. wear protective clothing, eye protection and gloves.
- ▶ For use and waste disposal of hazardous (e.g. radioactive and potentially infectious) material, follow the safety instructions and general laboratory practice.
- ▶ The pipette and tips are not intended for in vivo use. Do not use the pipette for pipetting any liquid to be injected into a human body.
- ▶ Do not eject the tip towards anybody.

The Finn timer F1 is to be used by trained personnel with required laboratory skills. The instructions for use must be read prior to and during the use of the device (pipette and tip). The F1 pipette can be used between +4°C and +40°C.



Incorrect dispensing results

- ▶ Performance may vary due to:
 - a. pipetting method (forward pipetting technique recommended)
 - b. temperature (air, liquid, vessel, pipette, and tip)
 - c. pressure
 - d. humidity
 - e. operator, e.g. thumb movement, pipetting angle
 - f. liquid density, viscosity and vapor pressure
 - g. type of tip

- ▶ If the pipetting performance is critical to the outcome of a specific application, the result has to be assured with an alternative test, and if this is not an option, by duplicate testing. The possibility of an incorrect volume delivery during pipetting cannot be entirely mitigated.
- ▶ To avoid inaccurate dispensing and/or leakage, check that the tip is properly attached to the pipette.
- ▶ When rotating the volume adjustment button, do not exceed the volume range of the pipette. Otherwise the pipette may be damaged or affect pipetting performance.
- ▶ Pipetting performance cannot be guaranteed if the tip is reused.
- ▶ Choose only a tip and pipette with matching color coding.

Disposal of the Materials

Follow laboratory and country-specific procedures for the disposal of biohazardous or radioactive waste. Refer to local regulations for the disposal of infectious material.

Warning The tips can be potentially infectious. Dispose of all used disposable tips as biohazardous waste.

Warning Decontaminate the pipette before disposal.

For waste disposal instructions, contact your local environmental agency. For more information, please contact us at info.pipettes@thermofisher.com

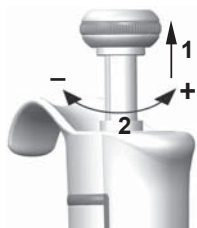
Regarding the original packaging and packing materials, use the recycling operators known to you.

For more information, contact your local Thermo Fisher Scientific representative.

Pipette operation

Setting the delivery volume

1. Set the delivery volume using the knob on the top of the pipette. Pull the knob to activate the volume setting.
2. To increase the delivery volume, turn the knob counterclockwise. To decrease the delivery volume, turn it clockwise.
3. Make sure that the desired delivery volume clicks into place.
4. Do not set volumes outside the pipette's specified volume range. Using excessive force to turn the knob outside the range may jam the mechanism and eventually damage the pipette.
5. Lock the volume by pushing the knob down.



ID-tag

You can mark the pipette application, your initials, the calibration date, etc. on the ID-tag. Remove the pipette's module to replace the tag. Mark the label with a pencil and slide the tag together with the holder back to its slot.



Tip ejection

To help eliminate the risk of contamination, each pipette is fitted with a tip ejector system. To release the tip, point the pipette at suitable waste receptacle and press the tip ejector with your thumb.

Adjusting the finger rest

The finger rest can be adjusted by rotating it 60 degrees to both directions of the center position. Usually right handed operators turn it left (counter clockwise) to get the best possible position for the thumb to eject the tip. See picture.



Pipetting techniques

Push and release the knob slowly at all times particularly when working with high viscosity liquids. Never allow the knob to snap back.

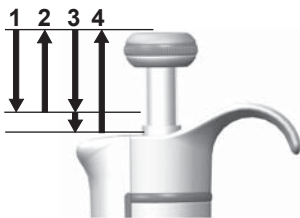
Make sure that the tip is firmly attached to the tip cone. Check for foreign particles in the tip.

Before you begin your actual pipetting work, fill and empty the tip 2-3 times with the solution that you will be pipetting. Hold the pipette in an upright position while aspirating liquid. The finger rest should rest on your index finger. Make sure that the tips, pipette and solution are at the same temperature.

Forward technique

Fill a clean reagent reservoir with the liquid to be dispensed.

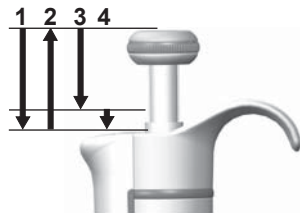
1. Depress the knob to the first stop.
2. Dip the tip under the surface of the liquid in the reservoir to a depth of about 1 cm and slowly release the knob. Withdraw the tip from the liquid touching it against the edge of the reservoir to remove excess liquid.
3. Deliver the liquid by gently depressing the knob to the first stop. After a delay of about one second, continue to depress the knob all the way to the second stop. This action will empty the tip.
4. Release the knob to the ready position. If necessary, change the tip and continue pipetting.



Reverse technique

The reverse technique is suitable for dispensing liquids that have a high viscosity or a tendency to foam easily. The technique is also recommended for dispensing very small volumes. Fill a clean reagent reservoir with the liquid to be dispensed.

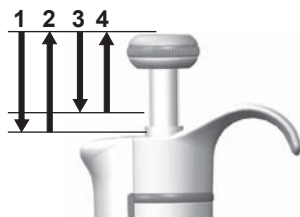
1. Depress the knob all the way to the second stop.
2. Dip the tip under the surface of the liquid in the reservoir to a depth of about 1 cm, and slowly release the knob. This action will fill the tip. Withdraw the tip from the liquid touching it against the edge of the reservoir to remove excess liquid.
3. Deliver the preset volume by gently depressing the knob to the first stop. Hold the knob at the first stop. Some liquid will remain in the tip and this should not be included in the delivery.
4. The remaining liquid should either be discarded with the tip or pipetted back into the container.



Repetitive technique

The repetitive technique offers a rapid and simple procedure for repeated delivery of the same volume. Fill a clean reagent reservoir with the liquid to be dispensed.

1. Depress the knob all the way to the second stop.
2. Dip the tip under the surface of the liquid in the reservoir to a depth of about 1 cm, and slowly release the knob. This action will fill the tip. Withdraw the tip from the liquid touching against the edge of the reservoir to remove excess liquid.
3. Deliver the preset volume by gently depressing the knob to the first stop. Hold the knob at the first stop. Some liquid will remain in the tip and this should not be included in the delivery.
4. Continue pipetting by repeating steps 3 and 4.



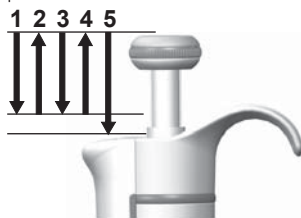
Pipetting of heterogeneous samples

(deproteinization in blood glucose determination, for example)

Use steps 1 and 2 of the forward technique to fill the tip with blood.

Wipe the tip carefully with a dry clean tissue.

1. Immerse the tip into the reagent and depress the knob to the first stop, making sure the tip is well below the surface.
2. Release the knob slowly to the ready position. This will fill the tip. Keep the tip in the solution.
3. Depress the knob to the first stop and release slowly. Keep repeating this procedure until the interior wall of the tip is clear.
4. Finally, depress the knob all the way to the second stop to completely empty the tip.



Calibration and adjustment

All Finnpiptettes are factory calibrated and adjusted to give the volumes as specified with distilled or deionized water using the forward pipetting technique. It should be noted that the use of other pipetting techniques may affect the calibration results. The pipettes are constructed to permit re-adjustment for other pipetting techniques or liquids of different temperature and viscosity.

Device requirements and test conditions

An analytical balance must be used. The scale graduation value of the balance should be chosen according to the selected test volume of the pipette:

Volume range	readable graduation
under 10 μl	0.00 1 mg
10-100 μl	0.01 mg
above 100 μl	0.1 mg

Test liquid: Water, distilled or deionized, "grade 3" water conforming ISO 3696. Tests are done in a draft-free room at a constant ($\pm 0.5^\circ\text{C}$) temperature of water, pipette and air between 15°C to 30°C . The relative humidity must be above 50%. Especially with volumes under 50 μl the air humidity should be as high as possible to reduce the effect of evaporation loss. Special accessories, such as the evaporation trap, are recommended.

Procedure to check calibration

The pipette is checked with the maximum volume (nominal volume) and with the minimum volume. A new tip is first pre-wetted 3-5 times and a series of ten pipettings is done with both volumes. A pipette is always adjusted for delivery (Ex) of the selected volume. Use of forward pipetting technique is recommended. The maximum permissible errors are designed for forward method. It is recommended to calibrate all channels of the multichannel pipette, but a suitable method is also to calibrate only the edge channels. Adjustment check prior calibration is done using one of the middle channels. It is recommended to use the ISO8655 calibration limits presented in the following tables or user-defined specifications.

Procedure:

1. Do 10 pipettings with the minimum volume.
2. Do 10 pipettings with the maximum volume.
3. Calculate the inaccuracy (A) and imprecision (cv) of both series.
4. Compare the results to the limits.

If the calculated results are within the selected limits, the adjustment of the pipette is correct.

ISO8655 calibration specifications

Thermo Scientific Finnpipette F1 specifications according to ISO8655 standard.

Finnpipette F1 Variable Volume Single Channel

Range	Volume μl	Inaccuracy		Imprecision	
		μl	%	s.d. μl	cv%
0,2-2 μl	2	± 0.080	± 4	0.040	2.0
	0.2	± 0.080	± 40	0.040	20.0
0,5-5 μl	5	± 0.125	± 2.5	0.075	1.5
	0.5	± 0.125	± 25	0.075	15
1-10 μl	10	± 0.120	± 1.2	0.080	0.8
	1	± 0.120	± 12	0.080	8.0
2-20 μl	20	± 0.20	± 1.0	0.10	0.5
	2	± 0.20	± 10.0	0.10	5.0
5-50 μl	50	± 0.50	± 1.0	0.20	0.4
	5	± 0.50	± 10	0.20	4.0
10-100 μl	100	± 0.80	± 0.8	0.30	0.3
	10	± 0.80	± 8.0	0.30	3.0
20-200 μl	200	± 1.60	± 0.8	0.60	0.3
	20	± 1.60	± 8.0	0.60	3.0
30-300 μl	300	± 4.0	± 1.3	1.5	0.5
	30	± 4.0	± 13	1.5	5.0
100-1000 μl	1000	± 8.0	± 0.8	3.0	0.3
	100	± 8.0	± 8.0	3.0	3.0
0,5-5 ml	5000	± 40.0	± 0.8	15.0	0.3
	500	± 40.0	± 8.0	15.0	3.0
1-10 ml	10000	± 60.0	± 0.6	30.0	0.3
	1000	± 60.0	± 6.0	30.0	3.0

Finnpipette F1 Fixed Volume Single Channel

Fixed Volume μl	Inaccuracy		Imprecision	
	μl	%	s.d. μl	cv%
10	± 0.120	± 1.20	0.080	0.80
20	± 0.20	± 1.00	0.10	0.50
25	± 0.50	± 2.00	0.20	0.80
50	± 0.50	± 1.00	0.20	0.40
100	± 0.80	± 0.80	0.30	0.30
200	± 1.60	± 0.80	0.60	0.30
250	± 4.00	± 1.60	1.50	0.60
500	± 4.00	± 0.80	1.50	0.30
1000	± 8.00	± 0.80	3.00	0.30
2000	± 16.0	± 0.80	6.00	0.30
3000	± 40.0	± 1.33	15.00	0.50
5000	± 40.0	± 0.80	15.00	0.30
10000	± 60.0	± 0.60	30.00	0.30

Finnpipette F1 Variable Volume Multichannel

Range	Channel	Volume μl	Inaccuracy		Imprecision	
			μl	%	s.d. μl	cv%
1-10 μl	8, 12, 16	10	± 0.24	± 2.4	0.16	1.6
		1	± 0.24	± 24	0.16	16
5-50 μl	8, 12, 16	50	± 1.0	± 2.0	0.4	0.8
		5	± 1.0	± 20	0.4	8.0
10-100 μl	8, 12	100	± 0.80	± 0.8	0.30	0.3
		10	± 0.80	± 8.0	0.30	3.0
30-300 μl	8, 12	300	± 8.0	± 2.7	3.0	1.0
		30	± 8.0	± 26.7	3.0	10.0

Manufacturer specification limits

Finnpipette F1 Variable Volume Single Channel

Range	Volume μl	Inaccuracy μl	%	Imprecision s.d. μl	cv%	Factory calibration tip
0.2-2 μ l	2	$\pm 0,050$	$\pm 2,50$	0,040	2,00	Flex 10
	0,2	$\pm 0,024$	$\pm 12,00$	0,020	10,00	
0.5-5 μ l	5	$\pm 0,075$	$\pm 1,50$	0,050	1,00	Flex 10
	0,5	$\pm 0,030$	$\pm 6,00$	0,025	5,00	
1-10 μ l, micro	10	$\pm 0,100$	$\pm 1,00$	0,050	0,50	Flex 10
	1	$\pm 0,025$	$\pm 2,50$	0,020	2,00	
1-10 μ l	10	$\pm 0,100$	$\pm 1,00$	0,080	0,80	Flex 200
	1	$\pm 0,035$	$\pm 3,50$	0,030	3,00	
2-20 μ l, micro	20	$\pm 0,20$	$\pm 1,00$	0,08	0,40	50
	2	$\pm 0,06$	$\pm 3,00$	0,05	2,50	
2-20 μ l	20	$\pm 0,20$	$\pm 1,00$	0,08	0,40	Flex 200
	2	$\pm 0,06$	$\pm 3,00$	0,05	2,50	
5-50 μ l, micro	50	$\pm 0,30$	$\pm 0,60$	0,15	0,30	50
	5	$\pm 0,15$	$\pm 3,00$	0,125	2,50	
5-50 μ l	50	$\pm 0,30$	$\pm 0,60$	0,15	0,30	Flex 200
	5	$\pm 0,15$	$\pm 3,00$	0,125	2,50	
10-100 μ l	100	$\pm 0,80$	$\pm 0,80$	0,20	0,20	Flex 200
	10	$\pm 0,30$	$\pm 3,00$	0,10	1,00	
20-200 μ l	200	$\pm 1,2$	$\pm 0,60$	0,4	0,20	Flex 200
	20	$\pm 0,36$	$\pm 1,80$	0,14	0,70	
30-300 μ l	300	$\pm 1,8$	$\pm 0,60$	0,6	0,20	Flex 300
	30	$\pm 0,45$	$\pm 1,50$	0,18	0,60	
100-1000 μ l	1000	$\pm 6,0$	$\pm 0,60$	2,0	0,20	Flex 1000
	100	$\pm 1,0$	$\pm 1,00$	0,6	0,60	
0,5-5 ml	5000	$\pm 25,0$	$\pm 0,50$	10,0	0,20	5 ml
	500	$\pm 10,0$	$\pm 2,00$	4,0	0,80	
1-10 ml	10000	$\pm 50,0$	$\pm 0,50$	20,0	0,20	10 ml
	1000	$\pm 20,0$	$\pm 2,00$	8,0	0,80	

Finnpipette F1 Fixed Volume Single Channel

Fixed Volume μl	Inaccuracy μl	%	Imprecision s.d. μl	cv%	Factory calibration tip
10	$\pm 0,090$	$\pm 0,90$	0,080	0,80	Flex 200
20	$\pm 0,14$	$\pm 0,70$	0,10	0,50	Flex 200
25	$\pm 0,15$	$\pm 0,60$	0,125	0,50	Flex 200
50	$\pm 0,30$	$\pm 0,60$	0,20	0,40	Flex 200
100	$\pm 0,40$	$\pm 0,40$	0,30	0,30	Flex 200
200	$\pm 0,80$	$\pm 0,40$	0,60	0,30	Flex 200
250	$\pm 1,0$	$\pm 0,40$	0,75	0,30	Flex 1000
500	$\pm 1,5$	$\pm 0,30$	1,5	0,30	Flex 1000
1000	$\pm 3,0$	$\pm 0,30$	3,0	0,30	Flex 1000
2000	$\pm 6,0$	$\pm 0,30$	4,0	0,20	5 ml
3000	$\pm 9,0$	$\pm 0,30$	6,0	0,20	5 ml
4000	$\pm 12,0$	$\pm 0,30$	8,0	0,20	5 ml
5000	$\pm 15,0$	$\pm 0,30$	10,0	0,20	5 ml
10000	$\pm 30,0$	$\pm 0,30$	20,0	0,20	10 ml

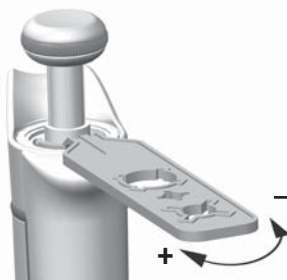
Finnpipette F1 Variable Volume Multichannel

Range	Channels	Volume μl	Inaccuracy μl	Inaccuracy %	Imprecision s.d. μl	Imprecision cv%	Factory calibration tip
1.0-10 μl	8, 12, 16	10	$\pm 0,240$	$\pm 2,40$	0,160	1,60	Flex 10
		1	$\pm 0,120$	$\pm 12,00$	0,080	8,00	
5-50 μl	8, 12, 16	50	$\pm 0,75$	$\pm 1,50$	0,35	0,70	Flex 200
		5	$\pm 0,25$	$\pm 5,00$	0,10	2,00	
10-100 μl	8, 12	100	$\pm 1,30$	$\pm 1,30$	0,50	0,50	Flex 200
		10	$\pm 0,50$	$\pm 5,00$	0,20	2,00	
30-300 μl	8, 12	300	$\pm 3,0$	$\pm 1,00$	0,9	0,30	Flex 300
		30	$\pm 1,5$	$\pm 5,00$	0,6	2,00	

Adjustment

Adjustment is done only for one volume. The recommended adjustment volume is the minimum volume or 10% of the maximum volume. Multichannel pipettes adjustment check prior calibration is done using one of the middle channels.

1. Place the service tool into the openings of the calibration nut at the top of the handle.
2. Turn the service tool clockwise to increase, or counterclockwise to decrease the volume.
3. After adjustment check the calibration according to the instructions above.



Formulas for calculating results

Conversion of mass to volume

$$V = (w + e) \times Z$$

V = volume (μl)

w = weight (mg)

e = evaporation loss (mg)

Z = conversion factor for $\mu\text{l}/\text{mg}$ conversion

Evaporation loss can be significant with low volumes. To determine mass loss, dispense water to the weighing vessel, note the reading and start a stopwatch. See how much the reading decreases during 30 seconds (e.g. 6 mg = 0.2 mg/s).

Compare this to the pipetting time from taring to reading. Typically pipetting time might be 10 seconds and the mass loss is 2 mg (10 s x 0.2 mg/s) in this example. If an evaporation trap or lid on the vessel is used the correction of evaporation is usually unnecessary.

The factor Z is for converting the weight of the water to volume at test temperature and pressure. A typical value is 1.0032 $\mu\text{l}/\text{mg}$ at 22°C and 95 kPa. See the conversion table on page 62.

Inaccuracy (systematic error)

Inaccuracy is the difference between the dispensed volume and the selected volume of a pipette.

$$A = \bar{V} - V_0$$

A = inaccuracy

\bar{V} = mean volume

V_0 = nominal volume

Inaccuracy can be expressed as a relative value: $A\% = 100\% \times A / V_0$

Imprecision (random error)

Imprecision refers to the repeatability of the pipettings. It is expressed as standard deviation (s) or coefficient of variation (cv)

$$S = \sqrt{\frac{\sum_{i=1}^n (V_i - \bar{V})^2}{n-1}}$$

s = standards deviation

\bar{v} = mean volume

n = number of measurements

Standard deviation can be expressed as a relative value (CV) $CV = 100\% \times S / \bar{V}$

Maintenance

When the Finnpiquette F1 is not in use, make sure it is stored in an upright position. We recommend a Finnpiquette stand for this purpose.

The part # refer to exploded views beginning at page 63.

Short-term service

The pipette should be checked at the beginning of each day for dust and dirt on the outside surfaces of the pipette.

Particular attention should be paid to the tip cone. No other solvents except 70 % ethanol should be used to clean the pipette.

Long-term service, single channel pipettes

If the pipette is used daily it should be checked every three months. The servicing procedure starts with the disassembly of the pipette.

2-1000 µl pipettes

1. Press the tip ejector.
2. Rotate the tip ejector 11 counterclockwise and pull it out.
3. Turn out the tip cone counterclockwise with the service tool.
4. Pull out the piston and other parts. Push out with piston the rest of the piston assembly. Then turn the tip cone upside down and tap all parts from tip cone. Remember keep all parts in order on table for reassembly.
5. Clean the piston, the piston spring and the O-rings with a dry napless cloth.
6. Check the tip cone for foreign particles.
7. Grease the cleaned parts with the lubricant that comes with the pipette.
8. Reassemble the pipette components.

0.2-2µl, 0.5-5µl & 1-10 µl: First, slide spring 22, o-ring support 23 and o-ring 24 on the tube 21. With the 0.2-2µl model insert the tube 27 into the tube 21. Then slide the spring 13, spring support 16 and tubes 17 and 18, bigger o-ring 19 and smaller o-ring 20 back on the piston.

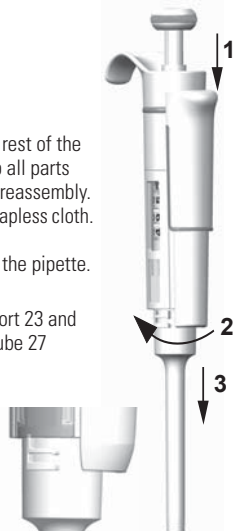
Compress the spring with fingers by pressing piston and spring support 16 against each other and slide the tube 21 with rest of the parts on the piston. Hold the spring compressed and carefully slide the entire assembly into the tip cone and release the spring.

2-20 µl & 5-50 µl: Slide the spring 13, spring support 16 and tubes 17 and 18, bigger o-ring 19 and smaller o-ring 20 back on the piston. Compress the spring with fingers by pressing piston and spring support 16 against each other and slide the bigger o-ring 19, smaller o-ring 20, spring support 21 and the spring 22 (smaller diameter against spring support 21) on the piston. Hold the spring compressed and carefully slide the entire assembly into the tip cone and release the spring.

10-100 µl & 20-200 µl: Slide the spring 13, spring support 16 and o-ring 17 back on the piston. Slide the entire assembly into the tip cone.

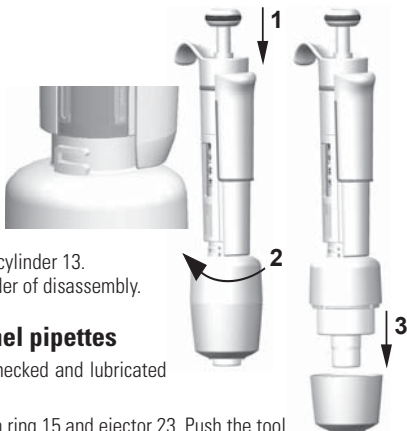
100-1000µl: Put the o-ring 17 and support ring 16 to the tip cone. Slide the spring 13 on the piston and slide the entire assembly into the tip cone.

9. **All:** Put the spring 15 and support 14 on top of the tip cone and carefully insert the tip cone assembly to the handle. Attach the tip cone by turning it first clockwise tight by hand, then do the final tightening with the service tool.
10. Reassemble the tip ejector.



0.5-5ml & 1-10 ml pipettes

1. Press the tip ejector.
2. Rotate the tip ejector 10 counterclockwise to open it.
3. Disassemble the lower part of the tip ejector 14 (snap fitting).
4. Turn the cylinder 13 counterclockwise and pull out the tip cone assembly.
5. Remove the cylinder 13 by pressing the snaps fittings of the cylinder.
5. Clean and regrease the O-ring 12 and cylinder 13.
6. Assemble the parts in the opposite order of disassembly.



Long-term service, multichannel pipettes

If the pipette is used daily it should be checked and lubricated every three months.

1. Place the service tool head#1 between ring 15 and ejector 23. Push the tool until the part snaps from each other.
2. Check that the ejector lever is in up position and pull down the tip ejector part of the module. Place the service tool head#2 in the hole of adapter tube 46.
3. Open the upper end of the tip ejector slightly and remove the tip ejector.
4. Screw out the module of the handle.
5. Remove the clip 22.
6. Press the spring 13 and remove the locking pieces 12 from the groove. Remove the spring 13.
7. Take off the locking claws 44 and 45 and pull out the adapter tube 46 and tube 43.
8. Use a screwdriver to remove the four screws 20,21 in the module cover and lift off the cover.
9. Remove the piston bar 16 and clean the pistons 31 and tip cones 42 with a dry nap-free cloth.
10. If needed, service the tip cones:

16channel 1-10ul: The tip cones cannot be serviced, please replace if necessary.

30-300 µl, 10-100µl & 5-50 µl: Open the tip cone by carefully releasing the cover ring 32 from its snap joint with the screwdriver. Remove all the parts from the tip cone. Clean all the parts. If needed, replace the o-rings. Take one piston. Slide the spring 33, cover ring 32 (larger hole), spring 34,, support ring 35, (o-ring 37 bigger 5-50µl/10-100µl) and o-ring 36 (smaller) onto the piston. Grease the o-ring with the lubricant provided in the pipette package. Slide all the parts into the tip cone 30 and close the snap joint of the cover ring 32.

1-10 µl: Open the tip cone by carefully releasing the cover ring 32 from its snap joint with the screwdriver. Remove all the parts from the tip cone. Clean all the parts. If needed, replace the o-rings. Take one piston. Slide spring 33, cover ring 32 (larger hole), support 35, o-ring 36 (bigger), o-ring 37 (smaller) and o-ring support 38 onto the piston. Then slide spring 39, spring support 40 (sharp edges first) and o-ring 41 onto the o-ring support 38. Grease the o-rings with the lubricant provided in the pipette package. Slide all the parts into the tip cone 30 and close the snap joint of the cover ring 32.

11. Install the piston bar with pistons and tip cones in the cover. Place aligning studs to the same side when assembling the module. Close the cover with the four screws. Insert the clip 22.
12. Place the adapter tube 46 and tube 43 on the neck of the module and insert the locking claws 44 and 45.
13. Insert spring 13 and locking pieces 12 to the piston rod 16.
14. Place the tip ejector on the module.
15. Screw the module in the handle and tighten with service tool head#2.
16. Push the tip ejector lever down, until you hear a "click".

Service Instructions for Multichannel Pipette Tip Cones

To ensure even performance between all channels in a multichannel pipette, all tip cones have to be changed at the same time, if any of them needs to be changed. Don't mix tip cones of different packages, because one bag contains a matched set of tip cones. Place aligning studs to the same side when assembling the module. See picture on page 71.

Sterilization

The tip cone assy of a single channel pipette can be repeatedly autoclaved at 121°C (252°F) (2 ata) for 20 minutes. All other parts and the multichannel pipettes are not autoclavable. After autoclaving the tip cone assy must be cooled to room temperature for at least two hours. Before pipetting, make sure that the tip cone assy is dry. We recommend that you check the calibration after every sterilization cycle.

Autoclavable parts:

Part number 42: single channel tip cone assy

Excluding part number 10 and 14 on 0.5-5ml and 1-10ml models

The part numbers are presented in section Spare Parts.

Trouble shooting

The table below lists possible problems and their solutions.

Defect	Possible reason	Solution
<i>Leakage</i>	<i>Tip incorrectly attached</i> <i>Foreign particles between tip and tip cone</i> <i>Foreign particles between the piston, the O-ring and the cylinder</i> <i>Insufficient amount of grease on cylinder and O-ring</i> <i>O-ring damaged</i>	<i>Attach firmly</i> <i>Clean tip cones attach new tips</i> <i>Clean and grease O-ring and cylinder.</i> <i>Grease accordingly</i> <i>Change the O-ring</i>
<i>Inaccurate dispensing</i>	<i>Incorrect operation</i> <i>Tip incorrectly attached</i> <i>Calibration altered: caused by misuse, for example</i> <i>Tip cone (Single channel) or module (Multichannel) loose</i>	<i>Follow instructions carefully</i> <i>Attach firmly</i> <i>Recalibrate according to instructions</i> <i>Tighten the tip cone or module with the service tool.</i>
<i>Inaccurate dispensing with certain liquids</i>	<i>Unsuitable calibration</i> <i>High viscosity liquids may require recalibration</i>	<i>Recalibrate with the liquids in question</i>
<i>Dispensing knob jammed to semi down position</i>	<i>One sided force applied to the knob when adjusting the volume with one hand</i>	<i>Pull up the knob and press down again to locked position</i>

CAUTION!

The Finnpiquette is designed to allow easy in-lab service. If you would prefer to have us or your local representative service your pipette, please make sure that the pipette has been decontaminated before you send it to us.

Please note that the postal authorities in your country may prohibit or restrict the shipment of contaminated material by mail.

Produktbeschreibung

Finnpipette F1 ist eine stufenlos einstellbare Mehrzweck-Mikropipette zur Entnahme und Ausgabe genauer Flüssigkeitsmengen.

Sie funktioniert auf der Basis des Luftverdrängungsprinzips (d. h. einer Luftschnittstelle) und verwendet abnehmbare Einwegspitzen.

Das einstellbare Ablaufvolumen wird in einer digitalen Anzeige am Griff dargestellt.

Die vierzehn Pipettenmodelle von Finnpipette F1 umfassen einen Volumenbereich von 0,2 µl bis 10 ml.

Bestellnr.	Volumen	Farbcode	Finntip
4641010N	0,2 µl bis 2 µl	rosa	Flex 10, 10, 20, 50
4641020N	0,5 µl bis 5 µl	rosa	Flex 10, 10, 20, 50
4641030N	1 µl bis 10 µl	rosa	Flex 10, 10, 20, 50
4641040N	1 µl bis 10 µl	gelb	Flex 200, 250 Univ., 200 Ext, 300, Flex 300
4641050N	2 µl bis 20 µl	turquoise	50
4641060N	2 µl bis 20 µl	gelb	Flex 200, 250 Univ., 200 Ext, 300, Flex 300
4641130N	5 µl bis 50 µl	turquoise	50
4641140N	5 µl bis 50 µl	gelb	Flex 200, 250 Univ., 200 Ext, 300, Flex 300
4641070N	10 µl bis 100 µl	gelb	Flex 200, 250 Univ., 200 Ext, 300, Flex 300
4641080N	20 µl bis 200 µl	gelb	Flex 200, 250 Univ., 200 Ext, 300, Flex 300
4641090N	30 µl bis 300 µl	orange	Flex 300, 300
4641100N	100 µl bis 1000 µl	blau	Flex 1000, 1000, 1000 Ext
4641110N	0,5 ml bis 5 ml	grün	5 ml
4641120N	1 ml bis 10 ml	rot	10 ml, Flex 10 ml Ext

Die 13 Pipettenmodelle von Finnpipette F1 Fixed Volume umfassen einen Volumenbereich von 1 µl bis 10 ml.

Bestellnr.	Volumen	Farbcode	Finntip
4651020N	10 µl	dunkelblau	Flex 200, 250 Univ., 200 Ext, 300, Flex 300
4651130N	20 µl	dunkelblau	Flex 200, 250 Univ., 200 Ext, 300, Flex 300
4651030N	25 µl	dunkelblau	Flex 200, 250 Univ., 200 Ext, 300, Flex 300
4651040N	50 µl	dunkelblau	Flex 200, 250 Univ., 200 Ext, 300, Flex 300
4651050N	100 µl	dunkelblau	Flex 200, 250 Univ., 200 Ext, 300, Flex 300
4651140N	200 µl	dunkelblau	Flex 200, 250 Univ., 200 Ext, 300, Flex 300
4651060N	250 µl	dunkelblau	Flex 1000, 1000, 1000 Ext
4651070N	500 µl	dunkelblau	Flex 1000, 1000, 1000 Ext
4651080N	1000 µl	dunkelblau	Flex 1000, 1000, 1000 Ext
4651090N	2000 µl	dunkelblau	5 ml
4651100N	3000 µl	dunkelblau	5 ml
4651110N	5000 µl	dunkelblau	5 ml
4651120N	10000 µl	dunkelblau	10 ml, Flex 10 ml Ext

Die zehn Pipettenmodelle von Finnpipette F1 Multichannel umfassen einen Volumenbereich von 1 µl bis 300 µl.

Bestellnr.	Kanäle	Volume Range	Farbcode	Finntip
4661000N	8	1 µl bis 10 µl	rosa	Flex 10, 10, 20, 50
4661010N	8	5 µl bis 50 µl	gelb	Flex 200, 250 Univ., 200 Ext, 300, Flex 300
4661020N	8	10 µl bis 100 µl	gelb	Flex 200, 250 Univ., 200 Ext, 300, Flex 300
4661030N	8	30 µl bis 300 µl	orange	Flex 300, 300
4661040N	12	1 µl bis 10 µl	rosa	Flex 10, 10, 20, 50
4661050N	12	5 µl bis 50 µl	gelb	Flex 200, 250 Univ., 200 Ext, 300, Flex 300
4661060N	12	10 µl bis 100 µl	gelb	Flex 200, 250 Univ., 200 Ext, 300, Flex 300
4661070N	12	30 µl bis 300 µl	orange	Flex 300, 300
4661080N	16	1 µl bis 10 µl	lila	20
4661090N	16	5 µl bis 50 µl	turquoise	50

Digitalanzeige

Die einstellbare Ablaufmenge ist in der großen digitalen Anzeige am Griff zu sehen.



Materialien

Die FinnpiPETTE F1 wird aus mechanisch dauerhaften und chemisch beständigen Materialien hergestellt.

Für Informationen zur Abfallentsorgung wenden Sie sich bitte an Ihre örtliche Umweltbehörde. Für nähere Informationen wenden Sie sich bitte an info.pipettes@thermofisher.com.

Beschreibung der Spitzen

Für die Verwendung mit der FinnpiPETTE F1 werden Finntips empfohlen.

Sie bestehen aus neuem, naturfarbenem Polypropylen, dem allgemein einzigen nicht kontaminierenden Material, das für Spitzen geeignet ist. Finntips sind ebenfalls autoklavierbar (121°C).

Packungsinhalt

Die FinnpiPETTE F1 wird in einer speziell konzipierten Verpackung transportiert und enthält die folgenden Bestandteile:

1. Die FinnpiPETTE
2. Wartungswerkzeug
3. Wartungswerkzeug für Mehrkanalpipetten
4. Finntip-Probe
5. Schmiermittel (**Bestellnr. 2203130**)
6. Bedienungsanleitung
7. Kalibrierungszertifikat / Garantiezertifikat
8. Aufhängevorrichtung (**Bestellnr. 2206040**)
9. Zwei Aufkleber

Sicherheit

Warnungen sind mit diesem Symbol gekennzeichnet:

Vorgesehener Verwendungszweck

Die vorgesehene Verwendung des Produkts ist die Übertragung von Flüssigkeiten in Volumina von 0,2 µl bis 10 ml.

Die FinnpiPETTE F1 Pipette und die Finntips sind als Komponenten eines Analysesystems konzipiert. Der Endbenutzer ist für die Validierung des Systems und die Sicherstellung korrekter Ergebnisse verantwortlich.



Gesundheitsgefahren

- ▶ Halten Sie die allgemeinen Sicherheitsvorschriften ein und tragen Sie angemessene Schutzkleidung einschließlich Schutzbrille und -handschuhen.
- ▶ Befolgen Sie bei der Entsorgung von Gefahrgut (z.B. radioaktive oder potentiell infektiöse Substanzen) die Sicherheitsvorschriften und Laborregeln.
- ▶ Die Pipette und ihre Spitzen sind nicht für In-vivo-Untersuchungen geeignet. Verwenden Sie die Pipette niemals zum Injizieren von Flüssigkeiten in den menschlichen Körper.
- ▶ Richten Sie die Pipette nicht auf Personen, wenn Sie die Spitze auswerfen.

Die FinnpiPETTE F1 darf nur von geschultem Personal verwendet werden, das über entsprechende Laborpraxis verfügt. Vor und während der Verwendung von Pipette und Spitze unbedingt die Gebrauchsanleitung lesen! Die zulässige Betriebstemperatur der F1 liegt zwischen +4°C und +40°C.



Falsche Dispensierergebnisse

- ▶ Mögliche Gründe für Abweichungen:
 - a. Pipettiermethode (Direktmodus empfohlen)
 - b. Temperatur (Luft, Flüssigkeit, Pipette und Spitze).
 - c. Druck
 - d. Feuchtigkeit
 - e. Bediener (z.B. Daumenbewegung, Pipettierwinkel)
 - f. Flüssigkeitsdichte, Viskosität und Dampfdruck
 - g. Art der Spitze
- ▶ Wenn die Pipettierleistung für die medizinische Diagnose entscheidend ist, muss das Ergebnis des Diagnosetests durch einen weiteren Test verifiziert werden, möglichst in alternativem Verfahren. Die Möglichkeit eines inkorrekten Ablaufvolumens beim Pipettieren kann nicht völlig ausgeschlossen werden.
- ▶ Um Fehler und/oder Leckagen zu verhindern, vergewissern Sie sich, dass die Spitze korrekt an der Pipette befestigt ist.
- ▶ Überschreiten Sie beim Drehen des Volumenreglers nicht den zulässigen Maximalwert. Andernfalls kann die Pipette Schaden nehmen oder ungenaue Ergebnisse produzieren.
- ▶ Für wiederverwendete Pipettenspitzen wird keine Leistungsgarantie übernommen.
- ▶ Die Farbcodierung von Pipette und Spitze muss übereinstimmen.

Entsorgung der Materialien

Befolgen Sie bei der Entsorgung biologischen Gefahrguts und radioaktiver Abfälle sowohl die laborspezifischen als auch die nationalen Vorschriften. Beachten Sie außerdem die örtlichen Vorschriften für die Entsorgung infektiösen Materials.

Warnung Die Proben können ansteckende Keime enthalten. Entsorgen Sie alle Einwegspitzen als biologisches Gefahrgut.

Warnung Dekontaminieren Sie die Pipette vor der Entsorgung.

Für Informationen zur Abfallentsorgung wenden Sie sich bitte an Ihre örtliche Umweltbehörde. Für nähere Informationen wenden Sie sich bitte an info.pipettes@thermofisher.com. Bitte führen Sie die Originalverpackung und das darin enthaltene Verpackungsmaterial sachgerechtem Recycling zu.

Weitere Informationen erhalten Sie bei Ihrer örtlichen Vertretung von Thermo Fisher Scientific.

Bedienung der Pipette

Einstellen der Ablaufmenge

1. Die Ablaufmenge wird mit dem Knopf am oberen Ende der Pipette eingestellt. Ziehen Sie den Knopf nach oben, um die Mengeneinstellung zu aktivieren.
2. Um die Ablaufmenge zu erhöhen, drehen Sie den Knopf gegen den Uhrzeigersinn. Um die Ablaufmenge zu verringern, drehen Sie ihn im Uhrzeigersinn.
3. Vergewissern Sie sich, dass die gewünschte Mengeneinstellung einrastet.
4. Wählen Sie keine Ablaufmenge, die außerhalb des für die Pipette zulässigen Bereichs liegt.
Durch das gewaltsame Drehen des Knopfs außerhalb des Bereichs kann der Mechanismus beschädigt und die Pipette unbrauchbar werden.
5. Arretieren Sie die Mengeneinstellung, indem Sie den Knopf drücken.



Kennschild

Die Pipette ist mit einem Kennschild versehen, auf dem Sie Anwendung, Kalibrierungsdatum, Ihre Initialen usw. vermerken können. Entfernen Sie zum Austauschen des Kennschildes das Pipettenmodul. Beschriften Sie das Etikett mit Bleistift und schieben Sie das Kennschild zusammen mit der Halterung wieder in den Schlitz.

Auswerfen der Spitze

Um die Gefahr einer Kontamination auszuschließen, ist jede Pipette mit einem Spitzen-Auswurfssystem ausgestattet. Um die Spitze zu lösen, halten Sie die Pipette über einen geeigneten Abfallbehälter und drücken Sie den Spitzenauswerfer mit dem Daumen nach unten.

Anpassung der Fingerstütze

Die Fingerstütze kann von der Mittelposition in beide Richtungen um 60° gedreht werden. Für Rechtshänder empfiehlt es sich, die Stütze ein Stück weit nach links zu drehen (gegen den Uhrzeigersinn), um die bestmögliche Position für den Daumen zum Auswerfen der Spitze einzustellen. Siehe Abbildung.



Pipettiermethoden

Das Drücken und Loslassen des Bedienungsknopfes muss stets langsam erfolgen, insbesondere wenn mit hochviskosen Flüssigkeiten gearbeitet wird. Achten Sie darauf, dass der Bedienungsknopf nie zurückschnappt.

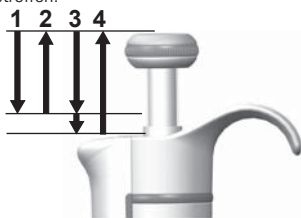
Stellen Sie sicher, dass die Spitze fest in der Spitzenthalterung sitzt. Kontrollieren Sie die Spitze auf Fremdkörper.

Bevor Sie mit dem Pipettieren beginnen, füllen und entleeren Sie die Spitze 2 - 3 Mal mit der Lösung, die Sie pipettieren wollen. Halten Sie die Pipette beim Ansaugen der Flüssigkeit senkrecht. Ihr Zeigefinger sollte auf dem griffigen Bereich liegen. Achten Sie darauf, dass die Spitze, die Pipette und die Lösung dieselbe Temperatur aufweisen.

Vorwärtsmethode

Füllen Sie ein sauberes Reagenzglas mit der Flüssigkeit, die pipettiert werden soll.

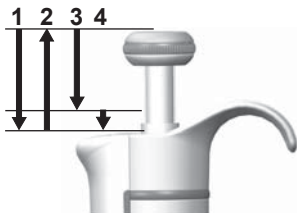
1. Drücken Sie den Knopf bis zum ersten Anschlag.
2. Tauchen Sie die Spitze ca. 1 cm unter die Oberfläche der Flüssigkeit im Reagenzglas und lassen Sie den Knopf langsam los. Nehmen Sie die Spitze aus der Flüssigkeit, wobei Sie überschüssige Flüssigkeit am Rand des Glases abstreifen.
3. Gießen Sie die Flüssigkeit aus, indem Sie den Knopf sanft bis zum ersten Anschlag drücken. Drücken Sie nach etwa einer Sekunde den Knopf ganz bis zum zweiten Anschlag durch. Dadurch wird die Spitze entleert.
4. Lassen Sie den Knopf in die Ausgangsposition zurückgleiten. Wechseln Sie nötigenfalls die Spitze und fahren Sie mit dem Pipettieren fort.



Rückwärtsmethode

Die Rückwärtsmethode ist geeignet für Flüssigkeiten, die eine hohe Viskosität aufweisen oder leicht schäumen. Diese Methode wird auch empfohlen, wenn nur sehr kleine Mengen verteilt werden sollen. Füllen Sie ein sauberes Reagenzglas mit der Flüssigkeit, die pipettiert werden soll.

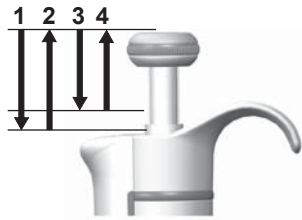
1. Drücken Sie den Knopf ganz durch bis zum zweiten Anschlag.
2. Tauchen Sie die Spitze ca. 1 cm unter die Oberfläche der Flüssigkeit im Reagenzglas und lassen Sie den Knopf langsam los. Dadurch wird die Spitze gefüllt. Nehmen Sie die Spitze aus der Flüssigkeit, wobei Sie überschüssige Flüssigkeit am Rand des Glases abstreifen.
3. Gießen Sie die voreingestellte Flüssigkeitsmenge aus, indem Sie den Knopf sanft bis zum ersten Anschlag drücken. Halten Sie den Knopf am ersten Anschlag fest. In der Spitze verbleibt etwas Flüssigkeit, die nicht ausgegossen werden darf.
4. Die restliche Flüssigkeit wird entweder mit der Spitze entsorgt oder zurück in den Flüssigkeitsbehälter gegossen.



Wiederholungsmethode

Die Wiederholungsmethode bietet eine rasche und einfache Möglichkeit, dasselbe Volumen mehrmals zu dosieren. Füllen Sie ein sauberes Reagenzglas mit der Flüssigkeit, die pipettiert werden soll.

1. Drücken Sie den Knopf ganz durch bis zum zweiten Anschlag.
2. Tauchen Sie die Spitze ca. 1 cm unter die Oberfläche der Flüssigkeit im Reagenzglas und lassen Sie den Knopf langsam los. Dadurch wird die Spitze gefüllt.
Nehmen Sie die Spitze aus der Flüssigkeit, wobei Sie überschüssige Flüssigkeit am Rand des Glases abstreifen.
3. Gießen Sie die voreingestellte Flüssigkeitsmenge aus, indem Sie den Knopf sanft bis zum ersten Anschlag drücken. Halten Sie den Knopf am ersten Anschlag fest. In der Spitze verbleibt etwas Flüssigkeit, die nicht ausgegossen werden darf.
4. Fahren Sie mit dem Pipettieren fort, indem Sie die Schritte 3 und 4 wiederholen.

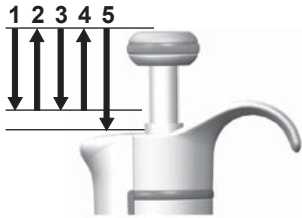


Pipettierung heterogener Proben

(z. B. Deproteinisation bei der Bestimmung des Blutzuckers)

Befolgen Sie Schritt 1 und 2 der Vorwärtsmethode um die Spitze mit Blut zu füllen. Wischen Sie die Spitze sorgfältig mit einem trockenen, sauberen Tuch ab.

1. Tauchen Sie die Spitze in das Reagenzglas ein und drücken Sie den Knopf bis zum ersten Anschlag. Achten Sie dabei darauf, dass die Spitze unter die Oberfläche der Flüssigkeit eingetaucht ist.
2. Lassen Sie den Knopf langsam in die Ausgangsposition zurückgleiten. Dadurch wird die Spitze gefüllt. Halten Sie die Spitze weiterhin in der Lösung.
3. Drücken Sie den Knopf bis zum ersten Anschlag und lassen Sie ihn langsam los. Wiederholen Sie diesen Vorgang, bis die Innenwand der Spitze klar ist.
4. Drücken Sie zum Schluss den Knopf ganz bis zum zweiten Anschlag durch, um die Spitze vollständig zu entleeren.



Kalibrierung und Justierung

Alle Finnpipetten werden im Werk auf die spezifizierten Mengen an destilliertem oder vollentsalztem Wasser bei Verwendung der Vorwärtsmethode kalibriert und justiert. Beachten Sie, dass die Verwendung anderer Pipettiermethoden die Kalibrierungsergebnisse beeinflussen können. Die Pipetten sind so konzipiert, dass eine erneute Justierung für andere Pipettiermethoden oder Flüssigkeiten vorgenommen werden kann, die eine unterschiedliche Temperatur und Viskosität aufweisen.

Erforderliche Geräte und Prüfbedingungen

Zur Überprüfung wird eine Analysenwaage benötigt. Der Skalenwert der Waage muss entsprechend der gewählten Testmenge der Pipette gewählt werden:

Menge	Skala
unter 10 µl	0,001 mg
10-100 µl	0,01 mg
über 100 µl	0,1 mg

Testflüssigkeit: Destilliertes oder vollentsalztes Wasser der Klasse 3 gemäß ISO 3696. Die Überprüfung wird in einem zugluftfreien Raum bei einer konstanten Temperatur von 15°C bis 30°C ($\pm 0,5^\circ\text{C}$) des Wassers, der Pipette und der Luft durchgeführt. Die relative Luftfeuchtigkeit muss über 50% liegen. Insbesondere bei Mengen unter 50 µl sollte die Luftfeuchtigkeit möglichst hoch sein, um Verdunstungsverluste zu vermeiden. Die Verwendung von Spezialzubehör, z.B. eines Verdunstungsschutzes, wird empfohlen.

Prüfen der Kalibrierung

Die Pipette wird mit der Höchstmenge (Nennvolumen) und der Mindestmenge geprüft. Zuerst wird eine neue Spitze drei- bis fünfmal mit Flüssigkeit durchgespült. Dann wird mit beiden Mengen eine Serie von zehn Pipettierungen durchgeführt. Eine Pipette ist stets auf den Ablauf (Ex) der gewählten Menge justiert. Die Verwendung der Vorwärtsmethode wird empfohlen.

Die maximal zulässigen Abweichungen beziehen sich auf die Vorwärtsmethode. Es wird empfohlen alle Kanäle einer Mehrkanalpipette zu kalibrieren, hilfsweise können auch nur die Randkanäle kalibriert werden. Anpassungen werden dann mit den mittleren Kanälen vorgenommen. Wir empfehlen die ISO8655 Kalibriergrenzen zu verwenden, wie in nachfolgenden Tabellen aufgeführt. Alternativ können anwenderspezifische Kalibriergrenzen angewendet werden.

Vorgang:

1. Nehmen Sie 10 Pipettierungen mit der Mindestmenge vor.
2. Nehmen Sie 10 Pipettierungen mit der Höchstmenge vor.
3. Berechnen Sie die Ungenauigkeit (A) und die Unpräzision (cv) beider Serien.
4. Vergleichen Sie die Ergebnisse mit den Fehlergrenzen.

Wenn sich die berechneten Werte innerhalb der festgelegten Fehlergrenzen befinden, ist die Kalibrierung der Pipette korrekt.

Kalibrierungsgrenzwerte nach ISO8655

Die Spezifikationen von Thermo Scientific FinnpiPETTE F1 entsprechen ISO8655

FinnpiPETTE F1-Einzelkanalpipette mit variablem Volumen

Bereich	Volumen μl	Ungenauigkeit		Unpräzision	
		μl	%	s.d. μl	cv%
0,2-2 μl	2	± 0.080	± 4	0.040	2.0
	0.2	± 0.080	± 40	0.040	20.0
0,5-5 μl	5	± 0.125	± 2.5	0.075	1.5
	0.5	± 0.125	± 25	0.075	15
1-10 μl	10	± 0.120	± 1.2	0.080	0.8
	1	± 0.120	± 12	0.080	8.0
2-20 μl	20	± 0.20	± 1.0	0.10	0.5
	2	± 0.20	± 10.0	0.10	5.0
5-50 μl	50	± 0.50	± 1.0	0.20	0.4
	5	± 0.50	± 10	0.20	4.0
10-100 μl	100	± 0.80	± 0.8	0.30	0.3
	10	± 0.80	± 8.0	0.30	3.0
20-200 μl	200	± 1.60	± 0.8	0.60	0.3
	20	± 1.60	± 8.0	0.60	3.0
30-300 μl	300	± 4.0	± 1.3	1.5	0.5
	30	± 4.0	± 13	1.5	5.0
100-1000 μl	1000	± 8.0	± 0.8	3.0	0.3
	100	± 8.0	± 8.0	3.0	3.0
0,5-5 ml	5000	± 40.0	± 0.8	15.0	0.3
	500	± 40.0	± 8.0	15.0	3.0
1-10 ml	10000	± 60.0	± 0.6	30.0	0.3
	1000	± 60.0	± 6.0	30.0	3.0

FinnpiPETTE F1-Einzelkanalpipette mit Konstantvolumen

Fixed Volume μl	Ungenauigkeit		Unpräzision	
	μl	%	s.d. μl	cv%
10	± 0.120	± 1.20	0.080	0.80
20	± 0.20	± 1.00	0.10	0.50
25	± 0.50	± 2.00	0.20	0.80
50	± 0.50	± 1.00	0.20	0.40
100	± 0.80	± 0.80	0.30	0.30
200	± 1.60	± 0.80	0.60	0.30
250	± 4.00	± 1.60	1.50	0.60
500	± 4.00	± 0.80	1.50	0.30
1000	± 8.00	± 0.80	3.00	0.30
2000	± 16.0	± 0.80	6.00	0.30
3000	± 40.0	± 1.33	15.00	0.50
5000	± 40.0	± 0.80	15.00	0.30
10000	± 60.0	± 0.60	30.00	0.30

Finnpipette F1-Mehrkanalpipette mit variablem Volumen

Bereich	Kanal	Volumen μl	Ungenauigkeit		Unpräzision	
			μl	%	s.d. μl	cv%
1-10 μl	8, 12, 16	10	± 0.24	± 2.4	0.16	1.6
		1	± 0.24	± 24	0.16	16
5-50 μl	8, 12, 16	50	± 1.0	± 2.0	0.4	0.8
		5	± 1.0	± 20	0.4	8.0
10-100 μl	8, 12	100	± 0.80	± 0.8	0.30	0.3
		10	± 0.80	± 8.0	0.30	3.0
30-300 μl	8, 12	300	± 8.0	± 2.7	3.0	1.0
		30	± 8.0	± 26.7	3.0	10.0

Grenzwerte laut Herstellerspezifikation

Finnpipette F1-Einzelkanalpipette mit variablem Volumen

Bereich	Volumen μl	Ungenauigkeit		Unpräzision		Hersteller Kalibrier- Spitze
		μl	%	s.d. μl	cv%	
0.2-2 μl	2	$\pm 0,050$	$\pm 2,50$	0,040	2,00	Flex 10
	0,2	$\pm 0,024$	$\pm 12,00$	0,020	10,00	
0.5-5 μl	5	$\pm 0,075$	$\pm 1,50$	0,050	1,00	Flex 10
	0,5	$\pm 0,030$	$\pm 6,00$	0,025	5,00	
1-10 μl , micro	10	$\pm 0,100$	$\pm 1,00$	0,050	0,50	Flex 10
	1	$\pm 0,025$	$\pm 2,50$	0,020	2,00	
1-10 μl	10	$\pm 0,100$	$\pm 1,00$	0,080	0,80	Flex 200
	1	$\pm 0,035$	$\pm 3,50$	0,030	3,00	
2-20 μl , micro	20	$\pm 0,20$	$\pm 1,00$	0,08	0,40	50
	2	$\pm 0,06$	$\pm 3,00$	0,05	2,50	
2-20 μl	20	$\pm 0,20$	$\pm 1,00$	0,08	0,40	Flex 200
	2	$\pm 0,06$	$\pm 3,00$	0,05	2,50	
5-50 μl , micro	50	$\pm 0,30$	$\pm 0,60$	0,15	0,30	50
	5	$\pm 0,15$	$\pm 3,00$	0,125	2,50	
5-50 μl	50	$\pm 0,30$	$\pm 0,60$	0,15	0,30	Flex 200
	5	$\pm 0,15$	$\pm 3,00$	0,125	2,50	
10-100 μl	100	$\pm 0,80$	$\pm 0,80$	0,20	0,20	Flex 200
	10	$\pm 0,30$	$\pm 3,00$	0,10	1,00	
20-200 μl	200	$\pm 1,2$	$\pm 0,60$	0,4	0,20	Flex 200
	20	$\pm 0,36$	$\pm 1,80$	0,14	0,70	
30-300 μl	300	$\pm 1,8$	$\pm 0,60$	0,6	0,20	Flex 300
	30	$\pm 0,45$	$\pm 1,50$	0,18	0,60	
100-1000 μl	1000	$\pm 6,0$	$\pm 0,60$	2,0	0,20	Flex 1000
	100	$\pm 1,0$	$\pm 1,00$	0,6	0,60	
0,5-5 ml	5000	$\pm 25,0$	$\pm 0,50$	10,0	0,20	5 ml
	500	$\pm 10,0$	$\pm 2,00$	4,0	0,80	
1-10 ml	10000	$\pm 50,0$	$\pm 0,50$	20,0	0,20	10 ml
	1000	$\pm 20,0$	$\pm 2,00$	8,0	0,80	

Finnpipette F1-Einzelkanalpipette mit Konstantvolumen

Fixed Volume μl	Ungenauigkeit μl	Ungenauigkeit %	Unpräzision s.d. μl	Unpräzision cv%	Hersteller Kalibrier- Spitze
10	$\pm 0,090$	$\pm 0,90$	0,080	0,80	Flex 200
20	$\pm 0,14$	$\pm 0,70$	0,10	0,50	Flex 200
25	$\pm 0,15$	$\pm 0,60$	0,125	0,50	Flex 200
50	$\pm 0,30$	$\pm 0,60$	0,20	0,40	Flex 200
100	$\pm 0,40$	$\pm 0,40$	0,30	0,30	Flex 200
200	$\pm 0,80$	$\pm 0,40$	0,60	0,30	Flex 200
250	$\pm 1,0$	$\pm 0,40$	0,75	0,30	Flex 1000
500	$\pm 1,5$	$\pm 0,30$	1,5	0,30	Flex 1000
1000	$\pm 3,0$	$\pm 0,30$	3,0	0,30	Flex 1000
2000	$\pm 6,0$	$\pm 0,30$	4,0	0,20	5 ml
3000	$\pm 9,0$	$\pm 0,30$	6,0	0,20	5 ml
4000	$\pm 12,0$	$\pm 0,30$	8,0	0,20	5 ml
5000	$\pm 15,0$	$\pm 0,30$	10,0	0,20	5 ml
10000	$\pm 30,0$	$\pm 0,30$	20,0	0,20	10 ml

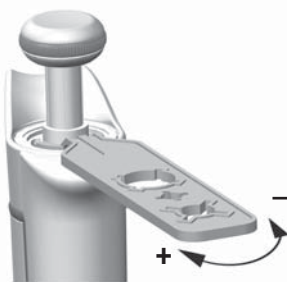
Finnpipette F1-Mehrkanalpipette mit variablem Volumen

Bereich	Kanal	Volumen μl	Ungenauigkeit μl	Ungenauigkeit %	Unpräzision s.d. μl	Unpräzision cv%	Hersteller Kalibrier- Spitze
1.0-10 μl	8, 12, 16	10	$\pm 0,240$	$\pm 2,40$	0,160	1,60	Flex 10
		1	$\pm 0,120$	$\pm 12,00$	0,080	8,00	
5-50 μl	8, 12, 16	50	$\pm 0,75$	$\pm 1,50$	0,35	0,70	Flex 200
		5	$\pm 0,25$	$\pm 5,00$	0,10	2,00	
10-100 μl	8, 12	100	$\pm 1,30$	$\pm 1,30$	0,50	0,50	Flex 200
		10	$\pm 0,50$	$\pm 5,00$	0,20	2,00	
30-300 μl	8, 12	300	$\pm 3,0$	$\pm 1,00$	0,9	0,30	Flex 300
		30	$\pm 1,5$	$\pm 5,00$	0,6	2,00	

Justierung

Die Einstellung wird nur für ein Volumen vorgenommen. Als Einstellvolumen wird die Mindest- oder 10% der Höchstmenge empfohlen. Bei Mehrkanal Pipetten wird zur Anpassung einer der mittleren Kanäle verwendet.

1. Stecken Sie das Werkzeug in die Öffnungen der Eichungsschraube am oberen Ende des Griffs.
2. Drehen Sie das Werkzeug im Uhrzeigersinn, um die Menge zu erhöhen, oder gegen den Uhrzeigersinn, um die Menge zu verringern.
3. Überprüfen Sie nach der Justierung die Kalibrierung gemäß der oben beschriebenen Anleitung.



Formeln zum Berechnen von Werten

Umrechnung von Masse in Volumen

$$V = (w + e) \times Z$$

V = Volumen (μl)

w = Gewicht (mg)

e = Verdunstungsverlust (mg)

Z = Umrechnungsfaktor für $\mu\text{l}/\text{mg}$ -Konversion

Verdunstungsverluste können bei kleinen Mengen ausschlaggebend sein. Um den Volumenverlust zu bestimmen, leeren Sie Wasser in die Waagschale, notieren Sie den Anzeigewert und starten Sie eine Stoppuhr. Stellen Sie fest, um wie viel der angezeigte Wert während 30 Sekunden abnimmt (z.B. 6 mg = 0,2 mg/s).

Vergleichen Sie dies mit der Pipettierzeit vom Austarieren bis zum Ablesen. Normalerweise beträgt die Pipettierzeit 10 Sekunden. Der Volumensverlust beträgt in diesem Fall deshalb 2 mg ($10 \text{ s} \times 0,2 \text{ mg/s}$). Wird ein Verdunstungsschutz oder Deckel für das Gefäß verwendet, ist ein Korrigieren der Verdunstungsmenge normalerweise nicht nötig.

Der Faktor Z dient zur Umrechnung des Gewichts von Wasser auf sein Volumen bei Prüftemperatur und Prüfdruck. Ein typischer Wert ist $1,0032 \text{ } \mu\text{l/mg}$ bei 22°C und 95 kPa . Siehe die Umwandlungstabelle auf Seite 62.

Ungenauigkeit (systematischer Fehler)

Ungenauigkeit bezeichnet die Differenz zwischen der abgegebenen Menge und dem gewählten Volumen einer Pipette.

$$A = \bar{V} - V_0$$

\bar{V} = Mittleres Volumen
 V_0 = Nennvolumen

Ungenauigkeit kann als relativer Wert dargestellt werden: $A\% = 100\% \times A / V_0$

Unpräzision (statistischer Fehler)

Unpräzision bezieht sich auf die Wiederholbarkeit der Pipettierung. Sie wird als Standardabweichung (s) oder Variationskoeffizient (cv) angegeben.

$$S = \sqrt{\frac{\sum_{i=1}^n (V_i - \bar{V})^2}{n-1}}$$

s = Standardabweichung
 \bar{v} = Mittleres Volumen
 n = Anzahl der Messungen

Die Standardabweichung kann als relativer Wert dargestellt werden (CV)

$$CV = 100\% \times s / \bar{V}$$

Wartung

Wenn die Finnpipette F1 nicht in Verwendung ist, muss sie in einer senkrechten Position aufbewahrt werden. Wir empfehlen dafür eine Finnpipette-Halterung.

Die angegebenen Teilenummern beziehen sich auf die Explosionszeichnungen ab Seite 63.

Kurzfristige Wartung

Die Außenfläche der Pipette sollte täglich vor Gebrauch auf Staub und Schmutz kontrolliert werden. Insbesondere der Spitzenkegel sollte gründlich untersucht werden. Zur Reinigung der Pipette darf ausschließlich 70% Ethylalkohol verwendet werden.

Langfristige Wartung, Einzelkanalpipetten

Wird die Pipette täglich verwendet, sollte sie alle drei Monate inspiziert werden. Die Wartung beginnt mit dem Zerlegen der Pipette.

Pipetten von 2-1000 μl

1. Drücken Sie den Spitzenauswerfer
2. Drehen Sie den Spitzenauswerfer 11 gegen den Uhrzeigersinn und ziehen Sie ihn heraus.
3. Drehen Sie den Spitzenkegel mit Hilfe des Wartungswerkzeugs gegen den Uhrzeigersinn aus dem Gewinde.
4. Ziehen Sie den Kolben und die übrigen Teile heraus. Drücken Sie mit dem Kolben die übrigen Teile der Kolbenbaugruppe heraus. Drehen Sie den Spitzenkegel um und klopfen Sie leicht auf ihn, so dass die darin befindlichen Teile herausrutschen. Bewahren Sie die Teile so auf dem Arbeitstisch auf, dass Sie sie beim Wiedereinbau in der richtigen Reihenfolge griffbereit haben.
5. Reinigen Sie den Kolben, die Kolbenfeder und die O-Ringe mit einem trockenen, fusselfreien Tuch.
6. Kontrollieren Sie den Spitzenkegel auf Fremdkörper.
7. Schmieren Sie die gesäuberten Teile mit dem Schmiermittel, das mit der Pipette geliefert wird.
8. Bauen Sie danach die Pipettenkomponenten wieder zusammen.



0,2-2 µl, 0,5-5 µl & 1-10 µl: Schieben Sie zuerst die Feder 22, die O-Ring-Stütze 23 und den O-Ring 24 auf die Röhre 21.

0,2-2 µl-Modell: Schieben Sie die Röhre 27 in die Röhre 21. Schieben Sie danach die Feder 13, die Federstütze 16, die Röhren 17 und 18, den größeren O-Ring 19 sowie den kleineren O-Ring 20 wieder auf den Kolben.

Drücken Sie die Feder mit den Fingern zusammen, indem Sie den Kolben und die Federstütze 16 gegeneinander drücken, und schieben Sie auch die Röhre 21 auf den Kolben. Halten Sie die Feder gedrückt und schieben Sie die ganze Baugruppe vorsichtig in den Spitzenkegel. Danach können Sie die Feder loslassen.

2-20 µl und 5-50 µl: Schieben Sie die Feder 13, die Federstütze 16, die Röhren 17 und 18, den größeren O-Ring 19 sowie den kleineren O-Ring 20 wieder auf den Kolben. Drücken Sie die Feder mit den Fingern zusammen, indem Sie den Kolben und die Federstütze 16 gegeneinander drücken, und schieben Sie den größeren O-Ring 19, den kleineren O-Ring 20, die Federstütze 21 und die Feder 22 (den kleineren Durchmesser der Federstütze 21 zugewandt) auf den Kolben. Halten Sie die Feder gedrückt und schieben Sie die ganze Baugruppe vorsichtig in den Spitzenkegel. Danach können Sie die Feder loslassen.

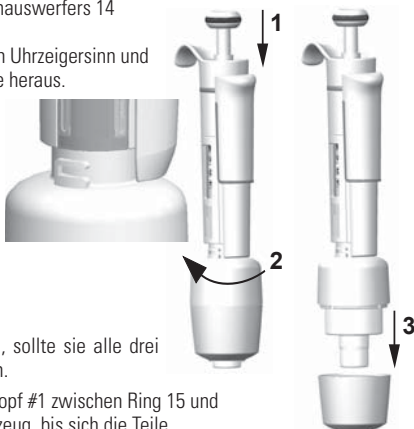
10-100 µl und 20-200 µl: Schieben Sie die Feder 13, die Federstütze 16 und den O-Ring 17 wieder auf den Kolben. Schieben Sie die ganze Baugruppe in den Spitzenkegel.

100-1000 µl: Schieben den O-Ring 17 und den Stützring 16 in den Spitzenkegel. Schieben Sie die Feder 13 auf den Kolben und danach die ganze Baugruppe in den Spitzenkegel.

- Alle:** Setzen Sie die Feder 15 und die Stütze 14 auf den Spitzenkegel. Schieben Sie die Spitzenkegeleinheit vorsichtig in den Griff. Bringen Sie den Spitzenkegel an, indem Sie diesen zunächst mit der Hand im Uhrzeigersinn drehen und anschließend mit dem Wartungswerkzeug festziehen.
- Bauen Sie den Spitzenauswerfer wieder ein.

Pipetten von 0,5-5 ml und 1-10 ml

- Drücken Sie auf den Spitzenauswerfer.
- Öffnen Sie den Spitzenauswerfer 10, indem Sie ihn gegen den Uhrzeigersinn drehen.
- Nehmen Sie das Unterteil des Spitzenauswerfers 14 auseinander (Einschnapphalterung).
- Drehen Sie den Zylinder 13 gegen den Uhrzeigersinn und ziehen Sie die Spitzenkegelbaugruppe heraus.
- Entfernen Sie den Zylinder, indem Sie auf dessen Einschnapphalterung drücken.
- O-Ring 12 und Zylinder 13 reinigen und schmieren.
- Bauen Sie die Teile in umgekehrter Reihenfolge wieder ein.



Langfristige Wartung, Mehrkanalpipetten

Falls die Pipette täglich verwendet wird, sollte sie alle drei Monate überprüft und geschmiert werden.

- Stecken Sie den Wartungswerkzeugkopf #1 zwischen Ring 15 und Auswerfer 23. Drücken Sie das Werkzeug, bis sich die Teile voneinander lösen.
- Achten Sie darauf, dass der Auswerferhebel in der oberen Position ist, und ziehen Sie den Auswerferbereich des Moduls nach unten. Stecken Sie den Werkzeugkopf #2 in das Loch der Adapterröhre 46.

3. Öffnen Sie das untere Ende des Spitzenauswerfers ein kleines Stück weit und nehmen Sie den Auswerfer heraus.
4. Schrauben Sie das Modul aus dem Griff.
5. Entfernen Sie die Klemme 22 heraus.
6. Drücken Sie die Feder 13 und lösen Sie die Arretierungen 12 aus der Nut. Entfernen Sie die Feder 13.
7. Entfernen Sie die Arretierungskralen 44 und 45 und ziehen Sie die Adapterröhre 46 sowie die Röhre 43 heraus
8. Lösen Sie mit einem Schraubenzieher die vier Schrauben 20, 21 der Modulabdeckung und entfernen Sie die Abdeckung.
9. Entfernen Sie die Kolbenstange 16 und reinigen Sie Kolben 31 und Spitzenkegel 42 mit einem trockenen, fusselfreien Tuch.
10. Warten Sie bei Bedarf die Spitzenkegel:

16-Kanal-Pipetten, 1-10 µl: Die Wartung der Spitzenkegel ist nicht möglich. Bitte ersetzen Sie verschlissene Kegel durch neue.

30-300 µl, 10-100µl & 5-50 µl: Öffnen Sie den Spitzenkegel, indem Sie den Schutzring 32 vorsichtig mit einem Schraubenzieher aus der Einschnapphalterung lösen. Nehmen Sie alle Teile aus dem Spitzenkegel. Säubern Sie sämtliche Teile. Wechseln Sie bei Bedarf die O-Ringe aus. Nehmen Sie einen Kolben. Schieben Sie die Feder 33, den Schutzring 32 (größeres Loch), die Feder 34, den Stützring 35, den O-Ring 37 (größer, 5-50µl/10-100µl) und den O-Ring 36 (kleiner) auf den Kolben. Schmieren Sie den O-Ring mit dem Schmiermittel, das mit der Pipette geliefert wird. Schieben Sie alle Teile in den Spitzenkegel 30 und schließen Sie die Einschnapphalterung des Schutzrings 32.

1-10 µl: Öffnen Sie den Spitzenkegel, indem Sie den Schutzring 32 vorsichtig mit einem Schraubenzieher aus der Einschnapphalterung lösen. Nehmen Sie alle Teile aus dem Spitzenkegel. Säubern Sie sämtliche Teile. Wechseln Sie bei Bedarf die O-Ringe aus. Nehmen Sie einen Kolben. Schieben Sie die Feder 33, den Schutzring 32 (größeres Loch), die Stütze 35, den O-Ring 36 (größer), den O-Ring 37 (kleiner) sowie die O-Ringstütze 38 auf den Kolben. Schieben Sie danach die Feder 39, die Federstütze 40 (scharfe Kante zuerst) und den O-Ring 41 auf die O-Ringstütze 38. Schmieren Sie die O-Ringe mit dem Schmiermittel, das mit der Pipette geliefert wird. Schieben Sie alle Teile in den Spitzenkegel 30 und schließen Sie die Einschnapphalterung des Schutzrings 32.

11. Setzen Sie Kolbenstange, Kolben und Spitzenkegel in die Abdeckung ein. Positionieren Sie die Ausrichtungsbolzen beim Zusammensetzen des Moduls auf derselben Seite. Befestigen Sie die Abdeckung mit den vier Schrauben. Setzen Sie die Klemme 22 ein.
12. Setzen Sie die Adapterröhre 46 und die Röhre 43 auf den Hals des Moduls und bringen Sie die Arretierungskralen 44 und 45 an.
13. Setzen Sie die Feder 13 und die Arretierungen 12 in die Kolbenstange 16 ein.
14. Setzen Sie den Spitzenauswerfer auf das Modul.
15. Schrauben Sie das Modul in den Griff und ziehen Sie es mit Werkzeugkopf #2 fest an.
16. Drücken Sie den Spitzenauswerferhebel nach unten, bis Sie ein Klickgeräusch hören.

Wartung der Multichannel-Pipettenspitzenkoni

Um die gleichmäßige Funktion aller Kanäle der Multichannel-Pipette sicherzustellen, müssen stets alle Spitzenkoni gleichzeitig ausgetauscht werden. Verwenden Sie keinesfalls eine Kombination von Spitzenkoni aus verschiedenen Packungen, da die in einer Packung enthaltenen Spitzenkoni jeweils genau aufeinander abgestimmt sind. Positionieren Sie die Ausrichtungsbolzen beim Zusammensetzen des Moduls auf derselben Seite. Siehe Abbildung auf Seite 71.

Sterilisierung

Die Spitze einer Einkanal-Pipette kann wiederholt bei 121°C (252°F) (2 ata) 20 Minuten lang autoklaviert werden. Alle anderen Teile sowie Mehrkanalpipetten können nicht autoklaviert werden. Nach dem Autoklavieren muss die Spitze für mindestens zwei Stunden auf Zimmertemperatur abgekühlt werden. Die Spitze muss vor dem Pipettieren trocken sein. Wir empfehlen, die Kalibrierung nach jedem Sterilisationszyklus zu überprüfen.

Autoklavierbare Teile:

Teilenummer 42: Einkanal-Spitze

Ausgenommen sind Teile mit den Nummern 10 und 14 bei den Modellen 0,5–5 ml und 1–10 ml.

Die Teilenummern werden im Bereich Ersatzteile aufgeführt.

Fehlerbehebung

Die unten stehende Tabelle listet mögliche Probleme und Lösungsvorschläge auf.

Fehler	Mögliche Ursache	Lösung
<i>Undichtigkeit</i>	<i>Spitze nicht ordnungsgemäß befestigt</i> <i>Fremdkörper zwischen Spitze und Spitzenthalterung</i> <i>Fremdkörper zwischen Kolben, O-Ring und Zylinder</i> <i>Zu wenig Schmiermittel auf Zylinder und O-Ring</i> <i>O-Ring beschädigt</i>	<i>Ordnungsgemäß befestigen</i> <i>Spitzenhalterung reinigen und neue Spitze anbringen</i> <i>O-Ring und Zylinder reinigen und schmieren.</i> <i>Ordnungsgemäß schmieren</i> <i>O-Ring austauschen</i>
<i>Ungenauere Ausgabe</i>	<i>Falsche Handhabung</i> <i>Spitze nicht ordnungsgemäß befestigt</i> <i>Geänderte Kalibrierung: verursacht durch z. B. falsche Verwendung</i> <i>Spitzenkegel (Einzelkanal) oder Modul (Mehrkanal) gelockert</i>	<i>Anleitung genau befolgen</i> <i>Ordnungsgemäß befestigen</i> <i>Gemäß Anleitung neu kalibrieren</i> <i>Spitzenkegel bzw. Modul mit dem Wartungswerkzeug festziehen.</i>
<i>Ungenauere Ausgabe bei manchen Flüssigkeiten</i>	<i>Ungeeignete Kalibrierungsmethode</i> <i>Hochviskose Flüssigkeiten könnten neue Kalibrierung erfordern</i>	<i>Für manche Flüssigkeiten neu kalibrieren.</i>
<i>Dispensierknopf ist halb nach unten gedrückt und klemmt</i>	<i>Beim einhändigen Einstellen des Volumens wurde einseitig auf den Knopf gedrückt</i>	<i>Knopf nach oben ziehen und erneut in Arretierungsposition drücken.</i>

ACHTUNG!

Die Finnpipette wurde konzipiert um eine einfache Verwendung im Labor zu gewährleisten. Wenn Sie uns oder dem Vertreter vor Ort Ihre Pipette zukommen lassen wollen, stellen Sie bitte sicher, dass die Pipette dekontaminiert wurde, bevor Sie sie versenden.

Beachten Sie bitte, dass die Postbehörden in Ihrem Land den Transport von verunreinigtem Material auf dem Postweg untersagen oder einschränken könnten.

Description du produit

La Finnpiquette F1 est une micropipette polyvalente à volume variable pour l'échantillonnage et la distribution de volumes liquides précis de.

Elle fonctionne selon le principe du déplacement d'air (volume d'air entre piston et liquide) et utilise des cônes jetables.

Le volume sélectionné apparaît sur un écran numérique situé sur le corps de la pipette.

Les quatorze modèles de Finnpiquette F1 couvrent une gamme de 0,2 µl à 10 ml.

Référence	Plage de volumes	Code couleur	Embout Finntip
4641010N	0,2 µl à 2 µl	rose	Flex 10, 10, 20, 50
4641020N	0,5 µl à 5 µl	rose	Flex 10, 10, 20, 50
4641030N	1 µl à 10 µl	rose	Flex 10, 10, 20, 50
4641040N	1 µl à 10 µl	jaune	Flex 200, 250 Univ., 200 Ext, 300, Flex 300
4641050N	2 µl à 20 µl	turquoise	50
4641060N	2 µl à 20 µl	jaune	Flex 200, 250 Univ., 200 Ext, 300, Flex 300
4641130N	5 µl à 50 µl	turquoise	50
4641140N	5 µl à 50 µl	jaune	Flex 200, 250 Univ., 200 Ext, 300, Flex 300
4641070N	10 µl à 100 µl	jaune	Flex 200, 250 Univ., 200 Ext, 300, Flex 300
4641080N	20 µl à 200 µl	jaune	Flex 200, 250 Univ., 200 Ext, 300, Flex 300
4641090N	30 µl à 300 µl	orange	Flex 300, 300
4641100N	100 µl à 1000 µl	bleu	Flex 1000, 1000, 1000 Ext
4641110N	0,5 ml à 5 ml	vert	5 ml
4641120N	1 ml à 10 ml	rouge	10 ml, Flex 10 ml Ext

13 modèles de Finnpiquette F1 Fixed Volume couvrent une gamme de 1 µl à 10 ml.

Référence	Plage de volumes	Code couleur	Embout Finntip
4651020N	10 µl	bleu foncé	Flex 200, 250 Univ., 200 Ext, 300, Flex 300
4651130N	20 µl	bleu foncé	Flex 200, 250 Univ., 200 Ext, 300, Flex 300
4651030N	25 µl	bleu foncé	Flex 200, 250 Univ., 200 Ext, 300, Flex 300
4651040N	50 µl	bleu foncé	Flex 200, 250 Univ., 200 Ext, 300, Flex 300
4651050N	100 µl	bleu foncé	Flex 200, 250 Univ., 200 Ext, 300, Flex 300
4651140N	200 µl	bleu foncé	Flex 200, 250 Univ., 200 Ext, 300, Flex 300
4651060N	250 µl	bleu foncé	Flex 1000, 1000, 1000 Ext
4651070N	500 µl	bleu foncé	Flex 1000, 1000, 1000 Ext
4651080N	1000 µl	bleu foncé	Flex 1000, 1000, 1000 Ext
4651090N	2000 µl	bleu foncé	5 ml
4651100N	3000 µl	bleu foncé	5 ml
4651110N	5000 µl	bleu foncé	5 ml
4651120N	10000 µl	bleu foncé	10 ml, Flex 10 ml Ext

Les dix modèles différents de Finnpiquette F1 Multiconduit couvrent une gamme de 1 µl à 300 ml.

Référence	Conduit	Plage de volumes	Code couleur	Embout Finntip
4661000N	8	1 µl à 10 µl	rose	Flex 10, 10, 20, 50
4661010N	8	5 µl à 50 µl	jaune	Flex 200, 250 Univ., 200 Ext, 300, Flex 300
4661020N	8	10 µl à 100 µl	jaune	Flex 200, 250 Univ., 200 Ext, 300, Flex 300
4661030N	8	30 µl à 300 µl	orange	Flex 300, 300
4661040N	12	1 µl à 10 µl	rose	Flex 10, 10, 20, 50
4661050N	12	5 µl à 50 µl	jaune	Flex 200, 250 Univ., 200 Ext, 300, Flex 300
4661060N	12	10 µl à 100 µl	jaune	Flex 200, 250 Univ., 200 Ext, 300, Flex 300
4661070N	12	30 µl à 300 µl	orange	Flex 300, 300
4661080N	16	1 µl à 10 µl	pourpre	20
4661090N	16	5 µl à 50 µl	turquoise	50

Affichage numérique

Le volume sélectionné est indiqué sur l'écran numérique de la poignée.



Matériaux de fabrication

La Finnpiquette F1 est fabriquée à partir de matériaux à haute résistance mécanique et chimique.

Pour obtenir des instructions sur l'évacuation des déchets, contactez le service de l'environnement le plus proche. Pour plus d'informations, nous contacter à l'adresse suivante : info.pipettes@thermofisher.com.

Description des cônes

Il est recommandé d'utiliser les cônes Finttip avec les Finnpiquettes F1.

Ces cônes sont en polypropylène incolore, de haute qualité, seule matière considérée comme non contaminante. Les Finttip sont également autoclavables (121°C).

Conditionnement

La Finnpiquette F1 est livrée dans un emballage spécial contenant les éléments suivants :

1. Finnpiquette
2. Clé d'entretien
3. Clé d'entretien multicanal
4. Échantillon Finttip
5. Tube de graisse (**Référence 2203130**)
6. Guide d'utilisation
7. Certificat de calibrage / Certificat de garantie
8. Porte-pipettes (**Référence 2206040**)
9. Deux autocollants

Consignes de sécurité

Les mises en garde sont indiquées par ce symbole

Utilisation attendue

Cet appareil a été conçu pour transférer des volumes de liquides compris entre 0,2 µl à 10 ml. La pipette Finnpiquette F1 et les cônes Finttips sont conçus pour être utilisés dans des analyses et il incombe à l'utilisateur de valider le système afin de garantir des résultats sûrs et fiables.



Effets sur la santé

- ▶ Suivre les procédures générales de prévention des risques et de sécurité (par exemple : port de vêtements de protection, de lunettes de protection et de gants).
- ▶ Pour l'utilisation et l'élimination des matériaux dangereux (radioactifs ou potentiellement infectieux, par exemple), suivre les consignes de sécurité et les bonnes pratiques de laboratoire.
- ▶ Les pipettes et les cônes ne sont pas prévus pour être utilisés in vivo. Ne pas utiliser ce dispositif pour pipeter des liquides destinés à être injectés dans le corps humain.
- ▶ Ne pas éjecter le cône vers une personne.

La pipette Finnpiquette F1 doit être utilisée par des personnes dûment formées, dotées des compétences nécessaires pour travailler dans un laboratoire. Les instructions d'utilisation doivent être lues avant et, au besoin, pendant l'utilisation du dispositif (pipette et cône). La pipette F1 peut être utilisée entre +4°C et +40°C.



Résultats incorrects

- ▶ Les performances peuvent varier en fonction des paramètres suivants :
 - a. la méthode de pipetage (technique de pipetage directe recommandée)
 - b. la température (air, liquide, contenants, pipette et cône)
 - c. la pression
 - d. l'humidité

- e. l'opérateur, par ex. : mouvement du pouce, angle de pipetage
- f. la densité du liquide, la viscosité et la pression
- g. le type de cône

- ▶ Si les performances du pipetage sont essentielles au résultat d'une application, le résultat doit être garanti par un test alternatif ou, si cela n'est pas possible, par des tests répétés. La possibilité de distribuer un volume incorrect lors du pipetage ne peut pas être totalement écarté.
- ▶ Pour éviter une distribution incorrecte et/ou une fuite, vérifier que le cône est correctement fixé à la pipette.
- ▶ Ne jamais tourner le bouton de réglage du volume au-delà de la plage de volume de la pipette. Cela risquerait d'endommager la pipette ou d'affecter les performances du pipetage.
- ▶ Les performances du pipetage ne peuvent être garanties en cas de réutilisation du cône.
- ▶ Toujours utiliser un cône et une pipette de code couleur assorti.

Élimination des déchets

Suivre les procédures locales pour éliminer les déchets nocifs pour l'organisme ou radioactifs. Se reporter à la réglementation locale pour l'élimination de matériaux infectieux.

Avertissement Les cônes peuvent être potentiellement infectieux. Éliminer tous les cônes jetables utilisés comme des déchets présentant un risque biologique.

Avertissement Décontaminer la pipette avant de sle lubrifiant fourni Consulter.

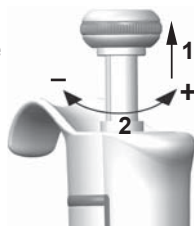
Pour obtenir des instructions sur l'évacuation des déchets, contactez le service de l'environnement le plus proche. Pour plus d'informations, nous contacter à l'adresse suivante : info.pipettes@thermofisher.com.

Pour les matériaux d'emballage d'origine, utiliser les compagnies de recyclage habituelles. Pour de plus amples informations, contacter le représentant Thermo Fisher Scientific local.

Utilisation de la pipette

Réglage du volume

1. Pour régler le volume, utiliser le bouton situé sur le haut de la pipette. Tirer sur le bouton pour régler le volume.
2. Pour augmenter le volume, tourner le bouton dans le sens inverse des aiguilles d'une montre. Pour réduire le volume, le tourner dans le sens des aiguilles d'une montre.
3. Vérifier qu'un dé clic indique la mise en place du volume.
4. Ne pas définir de volumes en dehors de la plage de volume spécifiée de la pipette.
Éviter de forcer sur le bouton, ceci pouvant à la longue altérer la précision du mécanisme et endommager la pipette.
5. Enfoncer le bouton pour verrouiller le volume.



Étiquette d'identification

Vous pouvez indiquer l'application de la pipette, vos initiales, la date d'étalonnage, etc., sur l'étiquette d'identification. Retirer le module de la pipette pour remplacer l'étiquette. Écrire sur l'étiquette à l'aide d'un crayon et faire glisser l'étiquette et son support dans la fente correspondante.



Ejection des cônes

Chaque pipette est munie d'un nouveau dispositif d'éjection des cônes pour éliminer les risques de contamination. Pour éjecter le cône, diriger la pipette vers un réceptacle approprié puis appuyer sur l'éjecteur avec le pouce.

Réglage du repose doigt

Vous pouvez régler le repose doigt en le faisant pivoter à 60 degrés dans les deux sens depuis la position centrale. En général, les opérateurs droitiers la tournent vers la gauche (sens inverse des aiguilles d'une montre) afin que le pouce soit placé dans la meilleure position possible pour l'éjection du cône. Se référer à l'illustration.



Méthodes de pipetage

Manier toujours le bouton-poussoir avec douceur, surtout avec des liquides à forte viscosité. Ne jamais relâcher le bouton-poussoir brusquement.

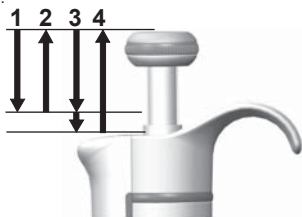
S'assurer que le cône est fermement emboîté sur l'embase porte-cône. Vérifier que le cône est propre.

Humidifier le cône avec la solution à pipeter avant de procéder au pipetage définitif (en remplissant et vidant 2 ou 3 fois le cône). Tenir la pipette en position verticale durant la manipulation. Le Grip-index doit reposer sur l'index de l'utilisateur. La température de la pipette et du cône doit être identique à celle de la solution.

Méthode directe

Remplir un réservoir propre avec le liquide à distribuer.

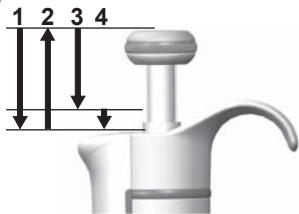
1. Appuyer sur le bouton jusqu'au premier cran.
2. Plonger d'environ 1 cm le cône dans le liquide puis relâcher lentement le bouton. Faire sortir le cône du liquide en touchant le bord du réservoir pour enlever l'excès de liquide.
3. Distribuer le liquide en appuyant doucement sur le bouton jusqu'au premier cran. Marquer un temps d'arrêt d'environ une seconde, et appuyer sur le bouton jusqu'au deuxième cran. Cette action videra complètement le cône.
4. Relâcher le bouton jusqu'à sa position de repos. Changer le cône si nécessaire, puis continuer le pipetage.



Méthode inverse

La méthode inverse convient pour distribuer des liquides très visqueux ou ayant tendance à mousser facilement. Cette méthode est également recommandée pour les faibles volumes. Remplir un réservoir propre avec le liquide à distribuer.

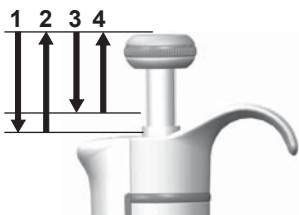
1. Appuyer sur le bouton jusqu'au deuxième cran.
2. Plonger d'environ 1 cm le cône dans le liquide puis relâcher lentement le bouton. Le cône se remplira. Faire sortir le cône du liquide en touchant le bord du réservoir pour enlever l'excès de liquide.
3. Distribuer le volume prédéfini en appuyant doucement sur le bouton jusqu'au premier cran. Maintenir le bouton au premier cran. Une partie du liquide doit rester dans le cône et ne sera pas distribuée.
4. Le liquide restant est soit éliminé avec le cône, soit reversé dans le réservoir.



Méthode répétitive

La méthode répétitive est une méthode simple et rapide pour la distribution répétée d'un même volume. Remplir un réservoir propre avec le liquide à distribuer.

1. Appuyer sur le bouton jusqu'au deuxième cran.
2. Plonger d'environ 1 cm le cône dans le liquide puis relâcher lentement le bouton. Le cône se remplira. Faire sortir le cône du liquide en touchant le bord du réservoir pour enlever l'excès de liquide.



3. Distribuer le liquide prédéfini en appuyant doucement sur le bouton jusqu'au premier cran. Maintenir le bouton au premier cran. Une partie du liquide doit rester dans le cône et ne sera pas distribuée.
4. Continuer le pipetage en répétant les étapes 3 et 4.

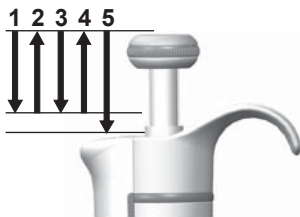
Pipetage des échantillons hétérogènes

(ex.: déprotéinisation du sang pour dosage de glucose).

Suivre les étapes 1 et 2 de la méthode directe pour prélever l'échantillon de sang.

Essuyer soigneusement le cône à l'aide d'un mouchoir en papier propre et sec.

1. Plonger le cône dans le réactif et appuyer sur le bouton jusqu'au premier cran, en s'assurant que la pointe est bien dans le liquide.
2. Relâcher lentement le bouton jusqu'à sa position de repos.
Le cône se remplira. Ne pas sortir le cône de la solution.
3. Appuyer sur le bouton jusqu'au premier cran puis le relâcher lentement. Répéter cette opération jusqu'à ce que l'intérieur du cône soit propre.
4. Enfin, appuyer sur le bouton jusqu'au deuxième cran pour vider complètement le cône.



Calibrage

Toutes les Finnpiquette sont réglées et calibrées en usine avec de l'eau distillée ou déionisée, selon la méthode de pipetage direct. Les pipettes sont conçues de sorte à pouvoir utiliser des liquides de différentes températures et viscosités.

Matériel et conditions de test

Utiliser une balance analytique. Les spécifications de la balance doivent être choisies en fonction du volume contrôlé de la pipette :

Volumes	Sensibilité de la balance
inférieurs à 10 µl	0,001 mg
10-100 µl	0,01 mg
supérieurs à 100 µl	0,1 mg

Liquide test : eau distillée ou déionisée, grade 3, conforme à la norme ISO 3696. Les tests doivent être effectués dans une pièce climatisée avec une température d'eau, de pipette et d'air constante ($\pm 0,5^{\circ}\text{C}$) située entre 20°C et 25°C . L'humidité relative doit être supérieure à 50 %. Pour les volumes inférieurs à 50 µl en particulier, l'humidité de l'air doit être la plus élevée possible pour réduire la perte par évaporation. Des accessoires spécifiques, tels qu'un piège à évaporation, sont recommandés.

Procédure de vérification du calibrage

La pipette est vérifiée au volume maximum (volume nominal) et au volume minimum. Chaque nouveau cône est d'abord pré-humidifié 3 à 5 fois, et une série de dix pipetages est réalisée pour chacun des deux volumes. Une pipette est toujours réglée pour distribuer le volume sélectionné. L'utilisation de la méthode de pipetage directe est recommandée. Les erreurs tolérables maximales sont fournies pour la méthode de pipetage directe. Il est conseillé d'étalonner tous les canaux des pipettes multicanaux, cependant une méthode acceptable consiste à étalonner seuls les canaux des extrémités. L'ajustage se réalise alors sur un canal central. Il est également recommandé d'utiliser les erreurs maximales tolérées définies par la norme ISO 8655, voir tableau ci-dessous ou des spécifications propres à chaque utilisateur.

Procédure :

1. Effectuer 10 pipetages au volume minimum.
2. Effectuer 10 pipetages au volume maximum.
3. Calculer la justesse (E) et la répétabilité (cv) des deux séries.
4. Comparer les résultats aux tolérances.

Si les résultats calculés se trouvent dans les limites de tolérance sélectionnées, c'est que le réglage de la pipette est correct.

Spécifications d'étalonnage ISO 8655

Spécifications Thermo Scientific Finnpiquette F1 selon la norme ISO 8655.

Finnpiquette F1 monocanal à volume variable

Gamme	Volumés μl	Erreur de justesse		Erreur de répétabilité	
		μl	%	s.d. μl	cv%
0,2-2 μl	2	± 0.080	± 4	0.040	2.0
	0.2	± 0.080	± 40	0.040	20.0
0,5-5 μl	5	± 0.125	± 2.5	0.075	1.5
	0.5	± 0.125	± 25	0.075	15
1-10 μl	10	± 0.120	± 1.2	0.080	0.8
	1	± 0.120	± 12	0.080	8.0
2-20 μl	20	± 0.20	± 1.0	0.10	0.5
	2	± 0.20	± 10.0	0.10	5.0
5-50 μl	50	± 0.50	± 1.0	0.20	0.4
	5	± 0.50	± 10	0.20	4.0
10-100 μl	100	± 0.80	± 0.8	0.30	0.3
	10	± 0.80	± 8.0	0.30	3.0
20-200 μl	200	± 1.60	± 0.8	0.60	0.3
	20	± 1.60	± 8.0	0.60	3.0
30-300 μl	300	± 4.0	± 1.3	1.5	0.5
	30	± 4.0	± 13	1.5	5.0
100-1000 μl	1000	± 8.0	± 0.8	3.0	0.3
	100	± 8.0	± 8.0	3.0	3.0
0,5-5 ml	5000	± 40.0	± 0.8	15.0	0.3
	500	± 40.0	± 8.0	15.0	3.0
1-10 ml	10000	± 60.0	± 0.6	30.0	0.3
	1000	± 60.0	± 6.0	30.0	3.0

Finnpiquette F1 monocanal à volume fixe

Fixed Volume μl	Erreur de justesse		Erreur de répétabilité	
	μl	%	s.d. μl	cv%
10	± 0.120	± 1.20	0.080	0.80
20	± 0.20	± 1.00	0.10	0.50
25	± 0.50	± 2.00	0.20	0.80
50	± 0.50	± 1.00	0.20	0.40
100	± 0.80	± 0.80	0.30	0.30
200	± 1.60	± 0.80	0.60	0.30
250	± 4.00	± 1.60	1.50	0.60
500	± 4.00	± 0.80	1.50	0.30
1000	± 8.00	± 0.80	3.00	0.30
2000	± 16.0	± 0.80	6.00	0.30
3000	± 40.0	± 1.33	15.00	0.50
5000	± 40.0	± 0.80	15.00	0.30
10000	± 60.0	± 0.60	30.00	0.30

Finnpiquette F1 multicanaux à volume variable

Gamme	Conduit	Volumés μl	Erreur de justesse		Erreur de répétabilité	
			μl	%	s.d. μl	cv%
1-10 μl	8, 12, 16	10	± 0.24	± 2.4	0.16	1.6
		1	± 0.24	± 24	0.16	16
5-50 μl	8, 12, 16	50	± 1.0	± 2.0	0.4	0.8
		5	± 1.0	± 20	0.4	8.0
10-100 μl	8, 12	100	± 0.80	± 0.8	0.30	0.3
		10	± 0.80	± 8.0	0.30	3.0
30-300 μl	8, 12	300	± 8.0	± 2.7	3.0	1.0
		30	± 8.0	± 26.7	3.0	10.0

Spécifications d'usine

Finnpipette F1 monocanal à volume variable

Gamme	Volumen μl	Erreur de justesse		Erreur de répétabilité		Pointes utilisées par le constructeur
		μl	%	s.d. μl	cv%	
0.2-2 μl	2	$\pm 0,050$	$\pm 2,50$	0,040	2,00	Flex 10
	0,2	$\pm 0,024$	$\pm 12,00$	0,020	10,00	
0.5-5 μl	5	$\pm 0,075$	$\pm 1,50$	0,050	1,00	Flex 10
	0,5	$\pm 0,030$	$\pm 6,00$	0,025	5,00	
1-10 μl , micro	10	$\pm 0,100$	$\pm 1,00$	0,050	0,50	Flex 10
	1	$\pm 0,025$	$\pm 2,50$	0,020	2,00	
1-10 μl	10	$\pm 0,100$	$\pm 1,00$	0,080	0,80	Flex 200
	1	$\pm 0,035$	$\pm 3,50$	0,030	3,00	
2-20 μl , micro	20	$\pm 0,20$	$\pm 1,00$	0,08	0,40	50
	2	$\pm 0,06$	$\pm 3,00$	0,05	2,50	
2-20 μl	20	$\pm 0,20$	$\pm 1,00$	0,08	0,40	Flex 200
	2	$\pm 0,06$	$\pm 3,00$	0,05	2,50	
5-50 μl , micro	50	$\pm 0,30$	$\pm 0,60$	0,15	0,30	50
	5	$\pm 0,15$	$\pm 3,00$	0,125	2,50	
5-50 μl	50	$\pm 0,30$	$\pm 0,60$	0,15	0,30	Flex 200
	5	$\pm 0,15$	$\pm 3,00$	0,125	2,50	
10-100 μl	100	$\pm 0,80$	$\pm 0,80$	0,20	0,20	Flex 200
	10	$\pm 0,30$	$\pm 3,00$	0,10	1,00	
20-200 μl	200	$\pm 1,2$	$\pm 0,60$	0,4	0,20	Flex 200
	20	$\pm 0,36$	$\pm 1,80$	0,14	0,70	
30-300 μl	300	$\pm 1,8$	$\pm 0,60$	0,6	0,20	Flex 300
	30	$\pm 0,45$	$\pm 1,50$	0,18	0,60	
100-1000 μl	1000	$\pm 6,0$	$\pm 0,60$	2,0	0,20	Flex 1000
	100	$\pm 1,0$	$\pm 1,00$	0,6	0,60	
0,5-5 ml	5000	$\pm 25,0$	$\pm 0,50$	10,0	0,20	5 ml
	500	$\pm 10,0$	$\pm 2,00$	4,0	0,80	
1-10 ml	10000	$\pm 50,0$	$\pm 0,50$	20,0	0,20	10 ml
	1000	$\pm 20,0$	$\pm 2,00$	8,0	0,80	

Finnpipette F1 monocanal à volume fixe

Fixed Volume μl	Erreur de justesse		Erreur de répétabilité		Pointes utilisées par le constructeur
	μl	%	s.d. μl	cv%	
10	$\pm 0,090$	$\pm 0,90$	0,080	0,80	Flex 200
20	$\pm 0,14$	$\pm 0,70$	0,10	0,50	Flex 200
25	$\pm 0,15$	$\pm 0,60$	0,125	0,50	Flex 200
50	$\pm 0,30$	$\pm 0,60$	0,20	0,40	Flex 200
100	$\pm 0,40$	$\pm 0,40$	0,30	0,30	Flex 200
200	$\pm 0,80$	$\pm 0,40$	0,60	0,30	Flex 200
250	$\pm 1,0$	$\pm 0,40$	0,75	0,30	Flex 1000
500	$\pm 1,5$	$\pm 0,30$	1,5	0,30	Flex 1000
1000	$\pm 3,0$	$\pm 0,30$	3,0	0,30	Flex 1000
2000	$\pm 6,0$	$\pm 0,30$	4,0	0,20	5 ml
3000	$\pm 9,0$	$\pm 0,30$	6,0	0,20	5 ml
4000	$\pm 12,0$	$\pm 0,30$	8,0	0,20	5 ml
5000	$\pm 15,0$	$\pm 0,30$	10,0	0,20	5 ml
10000	$\pm 30,0$	$\pm 0,30$	20,0	0,20	10 ml

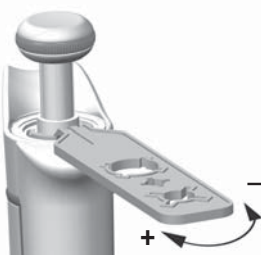
Finnpipette F1 multicanaux à volume variable

Gamme	Conduit	Volumés μl	Erreur de justesse		Erreur de répétabilité		Pointes utilisées par le constructeur
			μl	%	s.d. μl	cv%	
1.0-10 μl	8, 12, 16	10	$\pm 0,240$	$\pm 2,40$	0,160	1,60	Flex 10
		1	$\pm 0,120$	$\pm 12,00$	0,080	8,00	
5-50 μl	8, 12, 16	50	$\pm 0,75$	$\pm 1,50$	0,35	0,70	Flex 200
		5	$\pm 0,25$	$\pm 5,00$	0,10	2,00	
10-100 μl	8, 12	100	$\pm 1,30$	$\pm 1,30$	0,50	0,50	Flex 200
		10	$\pm 0,50$	$\pm 5,00$	0,20	2,00	
30-300 μl	8, 12	300	$\pm 3,0$	$\pm 1,00$	0,9	0,30	Flex 300
		30	$\pm 1,5$	$\pm 5,00$	0,6	2,00	

Réglage

Le réglage est effectué uniquement pour un volume. Réglage recommandé : volume minimal ou bien 10 % du volume maximal. Les pipettes multicanaux sont ajustées sur un canal central.

1. Placer la clé dans les crans de la bague de calibrage située au-dessous du bouton-poussoir.
2. Tourner la clé dans le sens des aiguilles d'une montre pour augmenter le volume ou dans le sens contraire pour le diminuer.
3. Une fois le réglage terminé, vérifier à nouveau le calibrage en suivant les instructions données ci-dessus.



Calculs

Conversion des poids en volume

$$V = (w + e) \times Z$$

V = volume (μl)

w = poids (mg)

e = perte par évaporation (mg)

Z = facteur de conversion pour $\mu\text{l}/\text{mg}$

La perte par évaporation peut être importante avec les micro-volumes. Pour déterminer la perte de masse, verser de l'eau dans un bécher ou une fiole, noter le poids et déclencher un chronomètre. Noter le poids indiqué au bout de 30 secondes (ex. 6 mg = 0,2 mg/s).

Comparer ce résultat avec le temps de pipetage entre le tarage et la lecture du poids. Dans cet exemple, le temps de pipetage devrait être de 10 secondes et la perte de masse serait donc de 2 mg (10 s x 0,2 mg/s). En utilisant un piège à évaporation ou un couvercle sur bécher ou la fiole, l'erreur due à l'évaporation est négligeable et n'est donc pas prise en compte.

Le facteur Z permet de convertir le poids de l'eau en volume, à la température et à la pression de contrôle. Z est égal à 1,0032 $\mu\text{l}/\text{mg}$ à 22°C et 95 kPa. Se référer à la table de conversion page 62.

Erreur de justesse (erreur systématique)

La erreur de justesse correspond à la différence entre les volumes distribués et le volume sélectionné de la pipette.

$$E = \bar{V} - V_0$$

$\frac{E}{\bar{V}}$ = erreur de justesse
 \bar{V} = volume moyen
 V_0 = volume nominal

La erreur de justesse peut être exprimée en valeur relative : $E\% = 100\% \times E / V_0$

Erreur de répétabilité (erreur aléatoire)

Erreur de répétabilité des pipetages est exprimée par la déviation standard (s) ou le coefficient de variation (cv).

$$S = \sqrt{\frac{\sum_{i=1}^n (V_i - \bar{V})^2}{n-1}}$$

s = déviation standard
 \bar{V} = volume moyen
 n = nombre de mesures

La déviation standard peut être exprimée en valeur relative (CV) : $CV = 100\% \times s / \bar{V}$

Entretien

Lorsque la Finnpiquette F1 n'est pas utilisée, s'assurer qu'elle est rangée en position verticale. Utiliser un portoir Finnpiquette.

Le signe # fait référence aux photos qui commencent à la page 63.

Entretien à court terme

Il est recommandé de vérifier avant chaque utilisation la propreté extérieure de la pipette. Une attention toute particulière doit être accordée à l'embase porte-cône. Pour le nettoyage, utiliser uniquement une solution d'éthanol à 70 %.

Entretien à long terme, pipettes simple conduit

Si la pipette est utilisée quotidiennement, elle doit être vérifiée tous les trois mois. La procédure d'entretien implique le démontage de la pipette.

Pipettes 1-1 000 µl

1. Appuyer sur l'éjecteur de cône.
2. Faire tourner l'éjecteur de cône 11 dans le sens inverse des aiguilles d'une montre et tirer dessus pour l'extraire.
3. Tourner l'embase porte-cône dans le sens inverse des aiguilles d'une montre à l'aide de la clé de calibrage.
4. Tirer sur le piston et les autres pièces. Appuyer avec le piston sur le reste de l'ensemble du piston. Ensuite, tourner l'embase porte-cône à l'envers et tarauder toutes les pièces depuis l'embase porte-cône. Ne pas oublier de conserver toutes les pièces dans l'ordre sur la table en vue du remontage.
5. Nettoyer le piston, le ressort de piston et le joint torique avec un chiffon sec non pelucheux.
6. Appuyer sur l'embase porte-cône pour retirer les saletés.
7. Graisser les parties nettoyées à l'aide du lubrifiant fourni avec la pipette.
8. Remonter les composants de la pipette.

0,2-2 µl, 0,5-5 µl et 1-10 µl : Commencer par faire glisser le ressort 22, le support du joint torique 23 et le joint torique 24 sur le tube 21. Avec le modèle 0,2-2µl, insérer le tube 27 dans le tube 21. Puis, faire à nouveau glisser le ressort 13, le support du ressort 16 et les tubes 17 et 18, le grand joint torique 19 et le petit joint torique 20 sur le piston.

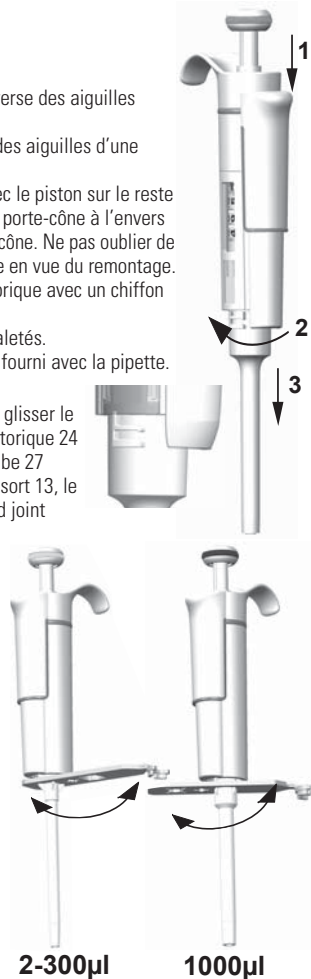
Comprimer le ressort avec les doigts en appuyant le piston sur le support du ressort 16 et faire glisser le tube 21 avec le reste des pièces sur le piston. Maintenir le ressort comprimé et faire glisser avec précaution l'ensemble complet dans l'embase porte-cône, puis relâcher le ressort.

2-20 µl et 5-50 µl : Faire de nouveau glisser le ressort 13, le support du ressort 16 et les tubes 17 et 18, le grand joint torique 19 et le petit joint torique 20 sur le piston. Comprimer le ressort avec les doigts en appuyant le piston sur le support du ressort 16 et faire glisser le grand joint torique 19, le petit joint torique 20, le support du ressort 21 et le ressort 22 (le petit diamètre contre le support du ressort 21) sur le piston. Maintenir le ressort comprimé et faire glisser avec précaution l'ensemble complet dans l'embase porte-cône, puis relâcher le ressort.

10-100 µl et 20-200 µl : Faire de nouveau glisser le ressort 13, le support du ressort 16 et le joint torique 17 sur le piston. Faire glisser l'ensemble complet dans l'embase porte-cône.

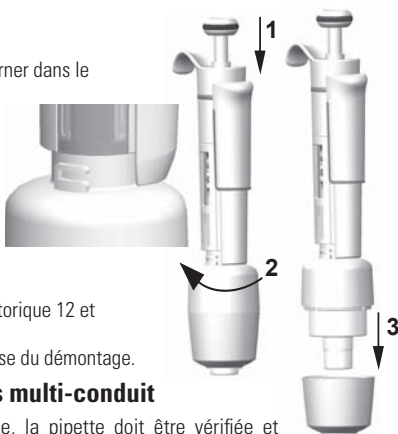
100-1000 µl : Placer le joint torique 17 et la bague presse-joint 16 sur l'embase porte-cône. Faire glisser le ressort 13 sur le piston, puis l'ensemble complet dans l'embase porte-cône.

9. **Tous :** Placer le ressort 15 et le support 14 en haut de l'embase porte-cône, puis insérer avec précaution l'ensemble de l'embase porte-cône sur la poignée. Fixer l'embase porte-cône en commençant par la faire tourner à la main dans le sens des aiguilles d'une montre et en finissant de serrer avec la clé de calibrage.
10. Remonter l'éjecteur de cône.



Pipette 0,5-5 ml et 1-10 ml

1. Appuyer sur l'éjecteur de cône.
2. Pour ouvrir l'éjecteur de cône 10, le tourner dans le sens inverse des aiguilles d'une montre.
3. Démontez la partie inférieure de l'éjecteur de cône 14 (clips de fixation).
4. Tourner le cylindre 13 dans le sens inverse des aiguilles d'une montre et tirer sur l'ensemble de l'embase porte-cône pour l'extraire.
5. Déposer le cylindre 13 en appuyant sur les clips de fixation du cylindre.
5. Nettoyer et graisser à nouveau le joint torique 12 et le cylindre 13.
6. Assembler les pièces dans l'ordre inverse du démontage.



Entretien à long terme, pipettes multi-conduit

Dans le cas d'une utilisation quotidienne, la pipette doit être vérifiée et lubrifiée tous les trois mois.

1. Placer la tête de la clé de calibre #1 entre la bague 15 et l'éjecteur 23. Appuyer sur l'outil jusqu'à ce que les pièces s'enclenchent les unes aux autres.
2. Vérifier que le levier de l'éjecteur est en position haute et appuyer sur la partie de l'éjecteur de cône du module.
Placer la tête de la clé de calibre #2 dans le trou du tube de l'adaptateur 46.
3. Ouvrir légèrement l'extrémité supérieure de l'éjecteur de cône et retirer l'éjecteur de cône.
4. Dévisser le module de la poignée.
5. Retirer la barre du clip 22.
6. Appuyer sur le ressort 13 et enlever les pièces de blocage 12 de la rainure. Enlever le ressort 13.
7. Relever les rebords courbés de verrouillage 44 et 45 et tirer sur les tubes 46 et 43 de l'adaptateur.
8. A l'aide d'un tournevis, retirer les quatre vis 20, 21 du couvercle du module et soulever le couvercle.
9. Retirer la barre du piston 16 puis nettoyer les pistons 31 et les porte-cônes 42 avec un chiffon sec non pelucheux.
10. Au besoin, procéder à l'entretien des porte-cônes :

16 conduits 1-10ul : Il n'est pas possible d'effectuer l'entretien des porte-cônes. Les remplacer au besoin.

30-300 µl, 10-100 µl et 5-50 µl : Ouvrir le porte-cône en libérant doucement l'anneau du couvercle 32 de son ergot de fixation à l'aide du tournevis. Enlever toutes les pièces de l'embase porte-cône. Nettoyer toutes les pièces. Au besoin, remplacer les joints toriques. Prendre un piston. Faire glisser le ressort 33, la bague du couvercle 32 (grand trou), le ressort 34, la bague presse-joint 35, (le joint torique 37 est plus gros pour le modèle 5-50µl/10-100µl) et le joint torique 36 (plus petit) sur le piston. Graisser le joint torique avec la graisse silicone fournie dans l'emballage de la pipette. Faire glisser toutes les pièces dans l'embase porte-cône 30 et fermer l'ergot de fixation de l'anneau de couvercle 32.

1-10 µl : Ouvrir l'embase porte-cône en libérant doucement l'anneau du couvercle 32 de son ergot de fixation à l'aide du tournevis. Enlever toutes les pièces de l'embase porte-cône. Nettoyer toutes les pièces. Au besoin, remplacer les joints toriques. Prendre un piston. Faire glisser le ressort 33, l'anneau du couvercle 32 (grand trou), le support 35, le joint torique 36 (grand), le joint torique 37 (petit) et le support de joint torique 38 sur le piston. Enfiler ensuite le ressort 39, la bague presse-joint 40 (bords fins en premier) et le joint torique 41 sur le porte-joint torique 38. Graisser les joints toriques avec le lubrifiant contenu dans l'emballage de la pipette. Faire glisser toutes les pièces dans l'embase porte-cône 30 et fermer l'ergot de fixation de l'anneau de couvercle 32.

11. Monter la barre du piston avec les pistons et les embases dans le couvercle. Placez les goujons d'alignement du même côté pour monter le module. Fermer le couvercle en resserrant les quatre vis. Insérer le clip 22.
12. Placer les tubes 46 et 43 de l'adaptateur sur le col du module et insérer les rebords courbés de verrouillage 44 et 45.
13. Insérer le ressort 13 et les pièces de verrouillage 12 sur la tige de piston 16.

14. Placer l'éjecteur de cône sur le module.
15. Visser le module dans la poignée et le serrer avec la tête de la clé de calibrage #2.
16. Appuyer sur le levier de l'éjecteur de cône jusqu'à émission d'un déclic.

Instructions d'entretien des embouts pour pipettes multicanaux

Pour assurer des performances régulières entre les canaux d'une pipette multicanaux, tous les embouts doivent être changés en même temps lorsque vous devez changer l'un d'entre eux. Ne mélangez jamais les embouts de différents sachets, car chaque sachet contient un ensemble d'embouts assortis. Placez les goujons d'alignement du même côté pour monter le module. Se référer à l'illustration en page 71.

Stérilisation

L'embase porte-cône d'une pipette monocanal peut être autoclavée plusieurs fois à 121°C (252°F) (2 ata) pendant 20 minutes. Toutes les autres pièces des pipettes multicanaux ne sont pas autoclavables. Une fois l'autoclavage terminé, l'embase porte-cône doit être refroidie à la température ambiante pendant au moins deux heures. Avant d'utiliser la pipette, assurez-vous que l'embase porte-cône est sèche. Nous vous recommandons de vérifier le calibrage après chaque cycle de stérilisation.

Pièces autoclavables :

Pièce numéro 42 : embase porte-cône monocanal

À l'exclusion des pièces numéro 10 et 14 pour les modèles de 0,5-5 ml et de 1-10 ml

Les numéros de pièce sont mentionnés dans la partie « Pièces détachées ».

En cas de problème

Le tableau ci-dessous donne une liste des problèmes éventuels et des solutions à apporter.

Problème	Cause probable	Solution
Fuite	<i>Cône mal emboîté</i>	<i>Bien vérifier la mise en place du cône</i>
	<i>Poussières ou cristaux entre le cône et l'embase</i>	<i>Nettoyer l'embase et remettre un nouveau cône</i>
	<i>Piston, joint torique et cylindre encrassés</i>	<i>Nettoyer et graisser le joint torique et le cylindre.</i>
	<i>Cylindre et joint torique insuffisamment lubrifiés</i>	<i>Graisser en conséquence</i>
Volume incorrect	<i>Joint torique endommagé</i>	<i>Remplacer le joint torique</i>
	<i>Utilisation incorrecte</i>	<i>Suivre attentivement les instructions</i>
	<i>Cône mal emboîté</i>	<i>Bien vérifier la mise en place du cône</i>
Volume incorrect avec certains liquides	<i>Embase porte-cône (monocanal) ou module (multicanaux) desserré</i>	<i>Serrer l'embase porte-cône ou le module à l'aide de la clé de calibrage.</i>
	<i>Calibrage modifié: causé par une mauvaise utilisation par exemple Calibrage inadapté.</i>	<i>Recalibrer en respectant les instructions</i>
Bouton de distribution bloqué en position semi abaissée	<i>Les liquides très visqueux peuvent demander un recalibrage.</i>	<i>Recalibrer en fonction du liquide utilisé.</i>
	<i>En réglant le volume d'une seule main, une pression unilatérale a été appliquée sur le bouton-poussoir.</i>	<i>Retirer le bouton vers le haut et appuyer à nouveau jusqu'à la position verrouillée</i>

ATTENTION !

Les Finnpiettes sont conçues pour permettre un entretien facile en laboratoire. Toutefois, si vous préférez que nous ou notre représentant local se charge de l'entretien de vos pipettes, assurez-vous que vous les avez décontaminées avant de nous les envoyer.

Remarque: les services postaux de certains pays peuvent interdire ou restreindre l'envoi par courrier de matériels contaminés.

Descripción del producto

La Finnpiquette F1 es una micropipeta ajustable progresivamente y de propósito general, para el muestreo y la dispensación de volúmenes de líquido exactos.

Su funcionamiento se basa en el principio de desplazamiento de aire (es decir, en medio aéreo) y utiliza puntas separables y desechables.

El volumen de dispensación seleccionado se muestra digitalmente en una ventana de lectura que se encuentra en el mango.

Los catorce modelos distintos de las pipetas Finnpiquette F1 permiten trabajar con volúmenes diferentes, abarcando un rango de 0,2 µl a 10 ml.

Nº de pedido	Rango volumétrico		Código de color		Finntip
4641010N	0,2 µl	a 2 µl	rosa		Flex 10, 10, 20, 50
4641020N	0,5 µl	a 5 µl	rosa		Flex 10, 10, 20, 50
4641030N	1 µl	a 10 µl	rosa		Flex 10, 10, 20, 50
4641040N	1 µl	a 10 µl	amarillo		Flex 200, 250 Univ., 200 Ext, 300, Flex 300
4641050N	2 µl	a 20 µl	turquoise		50
4641060N	2 µl	a 20 µl	amarillo		Flex 200, 250 Univ., 200 Ext, 300, Flex 300
4641130N	5 µl	a 50 µl	turquoise		50
4641140N	5 µl	a 50 µl	amarillo		Flex 200, 250 Univ., 200 Ext, 300, Flex 300
4641070N	10 µl	a 100 µl	amarillo		Flex 200, 250 Univ., 200 Ext, 300, Flex 300
4641080N	20 µl	a 200 µl	amarillo		Flex 200, 250 Univ., 200 Ext, 300, Flex 300
4641090N	30 µl	a 300 µl	naranja		Flex 300, 300
4641100N	100 µl	a 1000 µl	azul		Flex 1000, 1000, 1000 Ext
4641110N	0,5 ml	a 5 ml	green		5 ml
4641120N	1 ml	a 10 ml	red		10 ml, Flex 10 ml Ext

13 modelos distintos de las pipetas Finnpiquette F1 de volumen fijo permiten trabajar con volúmenes diferentes, abarcando un rango de 1 µl a 10 ml.

Nº de pedido	Rango volumétrico		Código de color		Finntip
4651020N	10 µl		azul oscuro		Flex 200, 250 Univ., 200 Ext, 300, Flex 300
4651130N	20 µl		azul oscuro		Flex 200, 250 Univ., 200 Ext, 300, Flex 300
4651030N	25 µl		azul oscuro		Flex 200, 250 Univ., 200 Ext, 300, Flex 300
4651040N	50 µl		azul oscuro		Flex 200, 250 Univ., 200 Ext, 300, Flex 300
4651050N	100 µl		azul oscuro		Flex 200, 250 Univ., 200 Ext, 300, Flex 300
4651140N	200 µl		azul oscuro		Flex 200, 250 Univ., 200 Ext, 300, Flex 300
4651060N	250 µl		azul oscuro		Flex 1000, 1000, 1000 Ext
4651070N	500 µl		azul oscuro		Flex 1000, 1000, 1000 Ext
4651080N	1000 µl		azul oscuro		Flex 1000, 1000, 1000 Ext
4651090N	2000 µl		azul oscuro		5 ml
4651100N	3000 µl		azul oscuro		5 ml
4651110N	5000 µl		azul oscuro		5 ml
4651120N	10000 µl		azul oscuro		10 ml, Flex 10 ml Ext

Los diez modelos de pipetas Finnpiquette F1 Multicanal permiten trabajar con volúmenes diferentes, abarcando un rango de 1 µl a 300 µl.

Nº de pedido	Canal	Rango volumétrico		Código de color		Finntip
4661000N	8	1 µl	a 10 µl	rosa		Flex 10, 10, 20, 50
4661010N	8	5 µl	a 50 µl	amarillo		Flex 200, 250 Univ., 200 Ext, 300, Flex 300
4661020N	8	10 µl	a 100 µl	amarillo		Flex 200, 250 Univ., 200 Ext, 300, Flex 300
4661030N	8	30 µl	a 300 µl	naranja		Flex 300, 300
4661040N	12	1 µl	a 10 µl	rosa		Flex 10, 10, 20, 50
4661050N	12	5 µl	a 50 µl	amarillo		Flex 200, 250 Univ., 200 Ext, 300, Flex 300
4661060N	12	10 µl	a 100 µl	amarillo		Flex 200, 250 Univ., 200 Ext, 300, Flex 300
4661070N	12	30 µl	a 300 µl	naranja		Flex 300, 300
4661080N	16	1 µl	a 10 µl	púrpura		20
4661090N	16	5 µl	a 50 µl	turquoise		50

Pantalla digital

El volumen de dispensación seleccionado aparece claramente indicado en la pantalla digital de gran tamaño que se encuentra en el mango.



Materiales

La Finnpiquette F1 está fabricada con materiales mecánicamente duraderos y químicamente resistentes.

Para obtener instrucciones para la eliminación de residuos, póngase en contacto con las autoridades locales de medio ambiente. Para más información, póngase en contacto con nosotros en info.pipettes@thermofisher.com.

Descripción de las puntas

Se recomienda el uso de puntas Finntip con las pipetas Finnpiquette F1.

Las puntas Finntip se fabrican con polipropileno virgen de color natural que, por regla general, se considera el único material sin contaminar apropiado para las puntas. Asimismo, las Finntip se pueden introducir en el autoclave (121 °C).

Paquete

La pipeta Finnpiquette F1 se suministra en un paquete de diseño especial que incluye los siguientes elementos:

1. Pipeta Finnpiquette
2. Herramienta de servicio
3. Herramienta de servicio multicanal
4. Punta Finntip de muestra
5. Tubo de grasa (**N° de pedido 2206040**)
6. Manual de instrucciones
7. Certificado de calibración / certificado de garantía
8. Colgador para estante (**N° de pedido 2206040**)

Seguridad

Las precauciones aparecen marcadas con el símbolo .

Uso previsto

El uso previsto de este dispositivo consiste en transferir líquidos en el rango volumétrico de 0,2 µl a 10 ml.

La pipeta Finnpiquette F1 y la punta Finntips han sido diseñadas como componente de un sistema de análisis para un usuario final, que es responsable de la validación del sistema para garantizar unos resultados fiables y seguros.



Daños para la salud

- ▶ Siga los procedimientos generales de prevención de peligros y las instrucciones de seguridad; por ejemplo, lleve prendas protectoras, protección ocular y guantes.
- ▶ Para el uso y la eliminación de residuos de material peligroso (p. ej., radiactivo y potencialmente infeccioso), siga las instrucciones de seguridad y las prácticas generales de laboratorio.
- ▶ Ni la pipeta ni las puntas están destinadas al uso in vivo. No utilice la pipeta para el pipeteo de líquidos que se vayan a inyectar en un cuerpo humano.
- ▶ No expulse la punta hacia ninguna persona.

La Finnpiquette F1 debe ser utilizada por personal capacitado con las habilidades de laboratorio necesarias. Es necesario leer las instrucciones de uso antes y durante el uso del dispositivo (pipeta y punta). La pipeta F1 puede usarse entre los +4 y los +40 °C.



Resultados de dispensación incorrectos

- ▶ El rendimiento puede variar a causa de factores como:
 - a. Método de pipeteado (se recomienda la técnica directa de pipeteo)
 - b. Temperatura (aire, líquido, recipiente, pipeta y punta)
 - c. Presión
 - d. Humedad
 - e. Operador, p. ej., movimiento del pulgar, ángulo de pipeteado
 - f. Densidad del líquido, viscosidad y presión de vapor
 - g. Tipo de punta
- ▶ Si el rendimiento del pipeteo es crítico para el resultado de una aplicación específica, el resultado debe garantizarse con una prueba alternativa o, si no es posible, mediante duplicación de la prueba. La posibilidad de una dispensación de volumen incorrecta durante el pipeteo no puede mitigarse totalmente.
- ▶ Para evitar una dispensación inexacta y/o fugas, verifique que la punta esté encajada correctamente en la pipeta.
- ▶ Al girar el botón de ajuste de volumen, no sobrepase el rango volumétrico de la pipeta. De lo contrario, la pipeta podría sufrir daños o el rendimiento de pipeteo podría verse afectado.
- ▶ El rendimiento de pipeteo no puede garantizarse si la punta se reutiliza.
- ▶ Seleccione sólo puntas y pipetas con una codificación de colores coincidente.

Eliminación de los materiales

Siga los procedimientos de su laboratorio y específicos de su país para la eliminación de residuos con riesgo biológico o radioactivo. Consulte las normas locales para la eliminación de material infeccioso.

Advertencia Las puntas pueden ser potencialmente infecciosas. Deseche todas las puntas desechables como residuos con riesgo biológico.

Advertencia Descontamine la pipeta antes de la eliminación.

Para obtener instrucciones para la eliminación de residuos, póngase en contacto con las autoridades locales de medio ambiente. Para más información, póngase en contacto con nosotros en info.pipettes@thermofisher.com.

En cuanto a los materiales de embalaje y empaquetado originales, utilice sus servicios de reciclaje habituales.

Para más información, póngase en contacto con su representante local de Thermo Fisher Scientific.

Uso de la pipeta

Selección del volumen de dispensación

1. Determine el volumen de dispensación con el mando que se encuentra en la parte superior de la pipeta. Tire del mando para activar el ajuste de volumen.
2. Para aumentar el volumen de dispensación, gire el mando en el sentido contrario a las agujas del reloj. Para disminuirlo, gírelo en la dirección opuesta.
3. Asegúrese de que el volumen de dispensación deseado quede fijado correctamente.
4. No ajuste volúmenes que estén fuera del rango volumétrico especificado para la pipeta.
Si fuerza el mando excesivamente para superar dicho rango, puede atascar el mecanismo y, con el tiempo, estropear la pipeta.
5. Para bloquear el volumen, presione el mando hacia abajo.



Etiqueta identificativa

Puede usar la etiqueta identificativa para indicar la aplicación de la pipeta, sus iniciales, la fecha de calibración, etc. Retire el módulo de la pipeta para sustituir la etiqueta. Escriba en la etiqueta con un lápiz y deslice la etiqueta, con su soporte, en su ranura.

Expulsión de la punta

Para evitar el riesgo de contaminación, cada pipeta viene equipada con un sistema de expulsión de puntas. Para soltar la punta, dirija la pipeta a un contenedor para residuos y presione el expulsor con el dedo pulgar.

Ajuste el apoyo para dedos

El apoyo para dedos puede ajustarse girándolo 60 grados en ambos sentidos desde su posición central. Normalmente, los usuarios diestros lo giran hacia la izquierda (en el sentido contrario a las agujas del reloj) para obtener la mejor posición posible para expulsar la punta con el pulgar. Vea la imagen.



Técnicas de pipeteo

Presione y suelte el pulsador lentamente y de forma continua, especialmente cuando trabaje con líquidos muy viscosos. Nunca suelte el pulsador de forma brusca.

Asegúrese de que la punta se encuentra firmemente ajustada en el cono portapuntas.

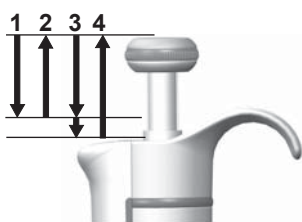
Compruebe que no haya partículas extrañas en la punta.

Antes de empezar, llene la punta con la sustancia que va a pipetear y vacíela, repitiendo esta acción 2 ó 3 veces. Sostenga la pipeta en posición vertical mientras se aspira el líquido. El agarre de la pipeta debe apoyarse en el dedo índice. Asegúrese de que las puntas, la pipeta y la solución se encuentran a la misma temperatura.

Técnica directa

Llene un frasco de reactivos limpio con el líquido con el que va a trabajar.

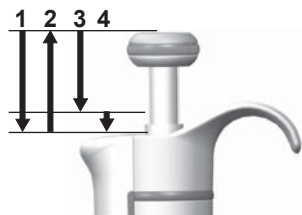
1. Presione el mando hasta la primera posición.
2. Sumerja la punta aproximadamente 1 cm bajo la superficie del líquido y suelte el mando lentamente. Saque la punta, retirando el exceso de líquido del borde del frasco de la dispensación para eliminar el exceso de líquido.
3. Descargue el líquido presionando ligeramente el mando hasta la primera posición. Transcurrido aproximadamente un segundo, vuelva a presionar el mando hasta la segunda posición para vaciar la punta. Esta acción vaciará la punta.
4. Libere el mando para que vuelva a la posición inicial. Si es necesario, cambie la punta y siga pipeteando.



Técnica inversa

Se recomienda esta técnica para el pipeteo de líquidos muy viscosos o con tendencia a formar espuma fácilmente. Asimismo, resulta apropiada para el trabajo con volúmenes reducidos. Llene un frasco de reactivos limpio con el líquido con el que va a trabajar.

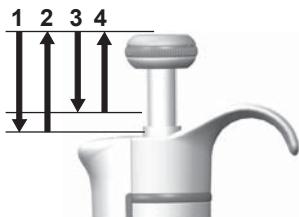
1. Presione el mando completamente hasta la segunda posición.
2. Sumerja la punta aproximadamente 1 cm bajo la superficie del líquido y suelte el mando lentamente. Mantenga el pulsador en este punto. Saque la punta, retirando el exceso de líquido del borde del frasco de la dispensación para eliminar el exceso de líquido.
3. Descargue el volumen prefijado presionando ligeramente el mando hasta la primera posición. Mantenga el mando en este punto. El líquido que quede en la punta no debe incluirse en la dispensación.
4. Deseche el líquido restante junto con la punta, o bien, devuélvalo al frasco.



Técnica repetitiva

La técnica repetitiva ofrece un modo rápido y sencillo para la dispensación repetida del mismo volumen. Llene un frasco de reactivos limpio con el líquido con el que va a trabajar.

1. Presione el mando completamente hasta la segunda posición.
2. Sumerja la punta aproximadamente 1 cm bajo la superficie del líquido y suelte el mando lentamente. Mantenga el pulsador en este punto. Saque la punta, retirando el exceso de líquido del borde del frasco de la dispensación para eliminar el exceso de líquido.
3. Descargue el volumen prefijado presionando ligeramente el mando hasta la primera posición. Mantenga el mando en este punto. El líquido que quede en la punta no debe incluirse en la dispensación.
4. Repita los pasos 3 y 4 para seguir pipeteando.

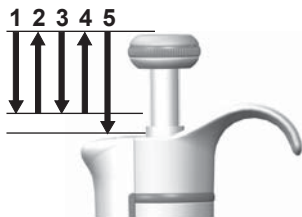


Pipeteo de muestras heterogéneas

(desproteización en una determinación de glucosa en sangre, por ejemplo)
Siga los pasos 1 y 2 de la técnica directa para llenar la punta de sangre.

Limpie cuidadosamente la punta con un pañuelito limpio y seco.

1. Sumerja la punta en el reactivo y presione el mando hasta la primera posición. Compruebe que la punta se encuentra debajo de la superficie.
2. Libere lentamente el mando para que vuelva a la posición inicial. Esto llenará la punta. Mantenga la punta sumergida dentro de la solución.
3. Presione el mando hasta la primera posición y suéltelo lentamente. Repita este proceso hasta que la pared interior de la punta quede limpia.
4. Por último, presione el mando hasta la segunda posición para vaciar la punta completamente.



Calibración y ajuste

Todas las pipetas Finnpiptette se distribuyen ajustadas y calibradas de fábrica para trabajar dentro de los volúmenes especificados con agua destilada o desionizada y con la técnica directa. Recuerde que el uso de otras técnicas de pipeteo puede afectar al resultado de la calibración. Las pipetas se diseñan para permitir el reajuste para otras técnicas de pipeteo u otros líquidos con temperaturas y viscosidades diferentes.

Requisitos de los dispositivos y condiciones del ensayo

Debe utilizar una balanza de laboratorio. Determine el valor de sensibilidad de la escala de la balanza en función del volumen de ensayo seleccionado de la pipeta:

Rango volumétrico	Sensibilidad
Menos de 10 μ l	0,001 mg
10-100 μ l	0,01 mg
Más de 100 μ l	0,1 mg

Líquido de ensayo: agua, destilada o desionizada, agua de "grado 3" conforme a la norma ISO 3696. Los ensayos se deben realizar en una habitación sin corrientes de aire, manteniendo el agua, la pipeta y el aire a una temperatura constante ($\pm 0,5$ °C) entre los 15 °C y 30 °C. La humedad relativa debe ser superior al 50%. La humedad del aire, especialmente cuando se trabaja con volúmenes inferiores a 50 μ l, debe ser lo más elevada posible para reducir el efecto de la pérdida por evaporación. Se recomienda el uso de accesorios especiales, tales como el concentrador de evaporación.

Procedimiento de comprobación de la calibración

Se debe comprobar el volumen máximo (volumen nominal) y el volumen mínimo de la pipeta. Humedezca de 3 a 5 veces una nueva punta antes de usarla y realice una serie de diez repeticiones a cada volumen. Las pipetas se ajustan siempre para dispensar (Ex) el volumen seleccionado.

Se recomienda utilizar la técnica directa de pipeteo. El número máximo permitido de errores se ha diseñado para la técnica directa. Se recomienda calibrar todos los canales en las pipetas multicanal, otro método también viable es calibrar sólo los canales externos. El ajuste se hace usando uno de los canales centrales. Se recomienda usar los límites de calibración de la norma ISO8655 que podemos observar en las siguientes tablas o usar especificaciones definidas por el usuario.

Procedimiento:

1. Realice 10 repeticiones al volumen mínimo.
2. Realice 10 repeticiones al volumen máximo.
3. Calcule la inexactitud (A) y la imprecisión (cv) de cada serie.
4. Compare los resultados con los límites.

Si los resultados calculados están dentro de los límites seleccionados, el ajuste de la pipeta es correcto.

Especificaciones de calibración según norma ISO 8655

La especificación para la Thermo Scientific FinnpiPETTE F1 se corresponde con la norma ISO 8655.

FinnpiPETTE F1 monocanal de volumen variable

Rango	Volumen μl	Inexactitud		Imprecisión	
		μl	%	s.d. μl	cv%
0,2-2 μl	2	± 0.080	± 4	0.040	2.0
	0.2	± 0.080	± 40	0.040	20.0
0,5-5 μl	5	± 0.125	± 2.5	0.075	1.5
	0.5	± 0.125	± 25	0.075	15
1-10 μl	10	± 0.120	± 1.2	0.080	0.8
	1	± 0.120	± 12	0.080	8.0
2-20 μl	20	± 0.20	± 1.0	0.10	0.5
	2	± 0.20	± 10.0	0.10	5.0
5-50 μl	50	± 0.50	± 1.0	0.20	0.4
	5	± 0.50	± 10	0.20	4.0
10-100 μl	100	± 0.80	± 0.8	0.30	0.3
	10	± 0.80	± 8.0	0.30	3.0
20-200 μl	200	± 1.60	± 0.8	0.60	0.3
	20	± 1.60	± 8.0	0.60	3.0
30-300 μl	300	± 4.0	± 1.3	1.5	0.5
	30	± 4.0	± 13	1.5	5.0
100-1000 μl	1000	± 8.0	± 0.8	3.0	0.3
	100	± 8.0	± 8.0	3.0	3.0
0,5-5 ml	5000	± 40.0	± 0.8	15.0	0.3
	500	± 40.0	± 8.0	15.0	3.0
1-10 ml	10000	± 60.0	± 0.6	30.0	0.3
	1000	± 60.0	± 6.0	30.0	3.0

FinnpiPETTE F1 monocanal de volumen fijo

Fixed Volume μl	Inexactitud		Imprecisión	
	μl	%	s.d. μl	cv%
10	± 0.120	± 1.20	0.080	0.80
20	± 0.20	± 1.00	0.10	0.50
25	± 0.50	± 2.00	0.20	0.80
50	± 0.50	± 1.00	0.20	0.40
100	± 0.80	± 0.80	0.30	0.30
200	± 1.60	± 0.80	0.60	0.30
250	± 4.00	± 1.60	1.50	0.60
500	± 4.00	± 0.80	1.50	0.30
1000	± 8.00	± 0.80	3.00	0.30
2000	± 16.0	± 0.80	6.00	0.30
3000	± 40.0	± 1.33	15.00	0.50
5000	± 40.0	± 0.80	15.00	0.30
10000	± 60.0	± 0.60	30.00	0.30

Finnpipette F1 multicanal de volumen variable

Rango	Canal	Volumen		Inexactitud		Imprecisión	
		μl	μl	μl	%	s.d. μl	cv%
1-10 μl	8, 12, 16	10		± 0.24	± 2.4	0.16	1.6
		1		± 0.24	± 24	0.16	16
5-50 μl	8, 12, 16	50		± 1.0	± 2.0	0.4	0.8
		5		± 1.0	± 20	0.4	8.0
10-100 μl	8, 12	100		± 0.80	± 0.8	0.30	0.3
		10		± 0.80	± 8.0	0.30	3.0
30-300 μl	8, 12	300		± 8.0	± 2.7	3.0	1.0
		30		± 8.0	± 26.7	3.0	10.0

Límites de especificación del fabricante

Finnpipette F1 monocanal de volumen variable

Range	Volume μl	Inaccuracy μl	%	Imprecisión s.d. μl	cv%	Punta de calibración en fábrica
0.2-2 μl	2	$\pm 0,050$	$\pm 2,50$	0,040	2,00	Flex 10
	0,2	$\pm 0,024$	$\pm 12,00$	0,020	10,00	
0.5-5 μl	5	$\pm 0,075$	$\pm 1,50$	0,050	1,00	Flex 10
	0,5	$\pm 0,030$	$\pm 6,00$	0,025	5,00	
1-10 μl , micro	10	$\pm 0,100$	$\pm 1,00$	0,050	0,50	Flex 10
	1	$\pm 0,025$	$\pm 2,50$	0,020	2,00	
1-10 μl	10	$\pm 0,100$	$\pm 1,00$	0,080	0,80	Flex 200
	1	$\pm 0,035$	$\pm 3,50$	0,030	3,00	
2-20 μl , micro	20	$\pm 0,20$	$\pm 1,00$	0,08	0,40	50
	2	$\pm 0,06$	$\pm 3,00$	0,05	2,50	
2-20 μl	20	$\pm 0,20$	$\pm 1,00$	0,08	0,40	Flex 200
	2	$\pm 0,06$	$\pm 3,00$	0,05	2,50	
5-50 μl , micro	50	$\pm 0,30$	$\pm 0,60$	0,15	0,30	50
	5	$\pm 0,15$	$\pm 3,00$	0,125	2,50	
5-50 μl	50	$\pm 0,30$	$\pm 0,60$	0,15	0,30	Flex 200
	5	$\pm 0,15$	$\pm 3,00$	0,125	2,50	
10-100 μl	100	$\pm 0,80$	$\pm 0,80$	0,20	0,20	Flex 200
	10	$\pm 0,30$	$\pm 3,00$	0,10	1,00	
20-200 μl	200	$\pm 1,2$	$\pm 0,60$	0,4	0,20	Flex 200
	20	$\pm 0,36$	$\pm 1,80$	0,14	0,70	
30-300 μl	300	$\pm 1,8$	$\pm 0,60$	0,6	0,20	Flex 300
	30	$\pm 0,45$	$\pm 1,50$	0,18	0,60	
100-1000 μl	1000	$\pm 6,0$	$\pm 0,60$	2,0	0,20	Flex 1000
	100	$\pm 1,0$	$\pm 1,00$	0,6	0,60	
0,5-5 ml	5000	$\pm 25,0$	$\pm 0,50$	10,0	0,20	5 ml
	500	$\pm 10,0$	$\pm 2,00$	4,0	0,80	
1-10 ml	10000	$\pm 50,0$	$\pm 0,50$	20,0	0,20	10 ml
	1000	$\pm 20,0$	$\pm 2,00$	8,0	0,80	

Finnpipette F1 monocanal de volumen fijo

Fixed Volume μl	Inaccuracy		Imprecisión		Punta de calibración en fábrica
	μl	%	s.d. μl	cv%	
10	$\pm 0,090$	$\pm 0,90$	0,080	0,80	Flex 200
20	$\pm 0,14$	$\pm 0,70$	0,10	0,50	Flex 200
25	$\pm 0,15$	$\pm 0,60$	0,125	0,50	Flex 200
50	$\pm 0,30$	$\pm 0,60$	0,20	0,40	Flex 200
100	$\pm 0,40$	$\pm 0,40$	0,30	0,30	Flex 200
200	$\pm 0,80$	$\pm 0,40$	0,60	0,30	Flex 200
250	$\pm 1,0$	$\pm 0,40$	0,75	0,30	Flex 1000
500	$\pm 1,5$	$\pm 0,30$	1,5	0,30	Flex 1000
1000	$\pm 3,0$	$\pm 0,30$	3,0	0,30	Flex 1000
2000	$\pm 6,0$	$\pm 0,30$	4,0	0,20	5 ml
3000	$\pm 9,0$	$\pm 0,30$	6,0	0,20	5 ml
4000	$\pm 12,0$	$\pm 0,30$	8,0	0,20	5 ml
5000	$\pm 15,0$	$\pm 0,30$	10,0	0,20	5 ml
10000	$\pm 30,0$	$\pm 0,30$	20,0	0,20	10 ml

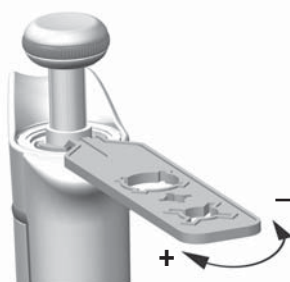
Finnpipette F1 multicanal de volumen variable

Range	Channels	Volume μl	Inaccuracy		Imprecisión		Punta de calibración en fábrica
			μl	%	s.d. μl	cv%	
1.0-10 μl	8, 12, 16	10	$\pm 0,240$	$\pm 2,40$	0,160	1,60	Flex 10
		1	$\pm 0,120$	$\pm 12,00$	0,080	8,00	
5-50 μl	8, 12, 16	50	$\pm 0,75$	$\pm 1,50$	0,35	0,70	Flex 200
		5	$\pm 0,25$	$\pm 5,00$	0,10	2,00	
10-100 μl	8, 12	100	$\pm 1,30$	$\pm 1,30$	0,50	0,50	Flex 200
		10	$\pm 0,50$	$\pm 5,00$	0,20	2,00	
30-300 μl	8, 12	300	$\pm 3,0$	$\pm 1,00$	0,9	0,30	Flex 300
		30	$\pm 1,5$	$\pm 5,00$	0,6	2,00	

Ajuste

El ajuste se realiza sólo para un volumen. El volumen de ajuste recomendado es el volumen mínimo o el 10% del volumen máximo. Las pipetas multicanales se ajustan usando uno de los canales centrales.

1. Inserte la herramienta de servicio en las aberturas de la tuerca de calibración que se encuentra en la parte superior del mango.
2. Gire la herramienta de servicio en el sentido de las agujas del reloj para aumentar el volumen o en la dirección opuesta para disminuirlo.
3. Una vez ajustado el volumen, compruebe la calibración siguiendo las instrucciones descritas anteriormente.



Fórmulas para el cálculo de los resultados

Conversión de masa a volumen

$$V = (w + e) \times Z$$

V = volumen (μl)
 w = peso (mg.)
 e = pérdida por evaporación (mg.)
 Z = factor de conversión para la conversión $\mu\text{l}/\text{mg}$

La pérdida por evaporación puede ser un factor relevante cuando se trabaja con volúmenes reducidos. Para determinar la pérdida de masa, llene de agua el recipiente a pesar, observe la lectura obtenida y ponga en marcha un cronómetro. Compruebe cómo disminuyen los valores al cabo de 30 segundos (p. ej., 6 mg = 0,2 mg/s).

Compare esta lectura con el tiempo de pipeteo transcurrido entre la acción y la lectura. Normalmente, el tiempo de pipeteo es de 10 segundos y la pérdida de masa de 2 mg (10 s x 0,2 mg/s) en este ejemplo. Si cubre el recipiente con un concentrador de evaporación o una tapa, no es preciso por lo general que corrija la evaporación.

El factor Z se utiliza para convertir el peso del agua en volumen a una temperatura y presión de ensayo. Un valor típico es 1,0032 µl/mg a 22 °C y 95 kPa. Consulte la tabla de conversiones de la página 62.

Inexactitud (error sistemático)

La inexactitud es la diferencia entre el volumen dispensado y el volumen seleccionado de una pipeta.

$$A = \bar{V} - V_0$$

\bar{V} = Inexactitud
 \bar{V} = Volumen medio
 V_0 = Volumen nominal

La inexactitud se puede expresar como un valor relativo: $A\% = 100\% \times A / V_0$

Imprecisión (error aleatorio)

La imprecisión hace referencia a la repetibilidad del pipeteo. Se expresa en forma de desviación estándar (s) o como coeficiente de variación (cv)

$$S = \sqrt{\frac{\sum_{i=1}^n (V_i - \bar{V})^2}{n-1}}$$

s = Desviación estándar
 \bar{V} = Volumen medio
 n = Número de mediciones

La desviación estándar se puede expresar como un valor relativo (CV) $CV = 100\% \times S / \bar{V}$

Mantenimiento

Guarde la pipeta FinnpiPETTE F1 cuando no se utilice y asegúrese de que se encuentra en posición vertical. Se recomienda para este propósito el uso del soporte especial para pipetas FinnpiPETTE. La referencia se refiere a las vistas de detalle del principio de la página 63.

Mantenimiento a corto plazo

Compruebe al comienzo de cada día que no haya polvo ni suciedad en las superficies externas de la pipeta.

Preste especial atención al cono portapuntas. Utilice exclusivamente etanol al 70% para limpiar la pipeta (no utilice otro tipo de disolvente).

Mantenimiento a largo plazo, pipetas monocal

Si la pipeta se utiliza diariamente, debe verificarla cada tres meses. El servicio de mantenimiento empieza por desmontar la pipeta.

Pipetas de 2-1.000 µl

1. Pulse el expulsor.
2. Gire el expulsor 11 en el sentido contrario a las agujas del reloj y tire de él hacia fuera.
3. Gire hacia fuera el cono portapuntas en el sentido contrario a las agujas del reloj con ayuda de la herramienta de servicio.
4. Tire del émbolo y las demás piezas hacia fuera. Presione hacia fuera el émbolo con el resto del conjunto de émbolo. A continuación, invierta el cono portapuntas y golpee suavemente todas las piezas para retirarlas del cono portapuntas. Recuerde que debe conservar todas las piezas en orden sobre la mesa, para el montaje posterior.
5. Limpie el émbolo, el muelle del émbolo y las juntas tóricas con un paño seco sin hilos.
6. Compruebe que el cono portapuntas no contenga partículas extrañas.
7. Engrase las partes limpias con el lubricante que viene con la pipeta.
8. Vuelva a montar los componentes de la pipeta.

0,2-2 µl, 0,5-5 µl y 1-10 µl: Deslice primero el muelle 22, el soporte 23 para junta tórica y la junta tórica 24 en el tubo 21. En el modelo para 0,2-2 µl, inserte el tubo 27 en el tubo 21. A continuación, deslice de nuevo en el émbolo el muelle 13, el soporte 16 para muelle y los tubos 17 y 18, la junta tórica mayor 19 y la junta tórica menor 20.



Comprima el muelle con los dedos presionando el émbolo y el soporte 16 para muelle uno contra otro y deslice el tubo 21 con el resto de las partes del émbolo. Mantenga comprimido el muelle y deslice cuidadosamente todo el conjunto hacia el interior del cono portapuntas, liberando a continuación el muelle.

2-20 µl y 5-50 µl: Deslice el muelle 13, el soporte 16 para muelle y los tubos 17 y 18, la junta tórica mayor 19 y la junta tórica menor 20 de nuevo en el émbolo. Comprima el muelle con los dedos presionando el émbolo y el soporte 16 para muelle uno contra otro y deslice la junta tórica mayor 19, la junta tórica menor 20, el soporte 21 para muelle y el muelle 22 (con el diámetro menos apoyado contra el soporte 21 para muelle) en el émbolo. Mantenga comprimido el muelle y deslice cuidadosamente todo el conjunto hacia el interior del cono portapuntas, liberando a continuación el muelle.

10-100 µl y 20-200 µl: Deslice el muelle 13, el soporte 16 para muelle y la junta tórica 17 de nuevo en el émbolo. Deslice todo el conjunto hacia el interior del cono portapuntas.

100-1.000 µl: Coloque la junta tórica 17 y el anillo de soporte 16 en el cono portapuntas. Deslice el muelle 13 en el émbolo y deslice todo el conjunto en el cono portapuntas.

- Todas:** Coloque el muelle 15 y el soporte 14 en la parte superior del cono portapuntas 11 e inserte cuidadosamente el conjunto de cono portapuntas en el mango. Fije el cono portapuntas apretándolo primero a mano efectuando un giro hacia la derecha y luego realice el ajuste definitivo con la herramienta de servicio.
- Vuelva a montar el expulsor.

Pipetas de 0,5-5 ml y 1-10 ml

- Pulse el expulsor.
- Gire el expulsor 10 en el sentido contrario a las agujas del reloj para abrirlo.
- Desmonte la parte inferior del expulsor 14 (ajuste a presión).
- Gire el cilindro 13 en el sentido contrario a las agujas del reloj y tire del conjunto de cono portapuntas hacia fuera.
- Retire el cilindro 13 presionando los ajustes a presión del cilindro.
- Limpie y reengrase la junta tórica 12 y el cilindro 13.
- Monte las piezas en el orden opuesto al del desmontaje.



Mantenimiento a largo plazo, pipetas multicanal

Si la pipeta se utiliza diariamente, debe verificarla y lubricarla cada tres meses.

- Coloque el cabezal nº 1 de la herramienta de servicio entre el anillo 15 y el expulsor 23. Presione la herramienta hasta que las piezas se separen con un chasquido.
- Compruebe que la palanca del expulsor esté en posición vertical y tire hacia abajo de la parte de expulsor de puntas del módulo. Coloque el cabezal nº 2 de la herramienta de servicio en el orificio del tubo adaptador 46.
- Abra levemente el extremo superior del expulsor de puntas y retire el expulsor de puntas.
- Desatornille y retire el módulo del mango.
- Retire la clip 22 hacia fuera.
- Presione el muelle 13 y retire las piezas de bloqueo 12 de la ranura. Retire el muelle 13.
- Retire las garras de bloqueo 44 y 45 y tire del tubo adaptador 46 y del tubo 43 hacia fuera.
- Utilice un destornillador para retirar los cuatro tornillos 20,21 de la cubierta del módulo y levante la cubierta para separarla.

9. Retire la barra 16 de los émbolos y limpie los émbolos 31 y los conos portapuntas 42 con un paño seco sin hilas.
10. En caso necesario, mantenga los conos portapuntas:

16 canales y 1-10 µl: Los conos portapuntas no admiten mantenimiento. Sustitúyalos en caso necesario.

30-300 µl, 10-100 µl y 5-50 µl: Abra con cuidado el cono portapuntas liberando el anillo 32 de la cubierta de su punto de unión por presión, con ayuda de un destornillador. Retire todas las piezas del cono portapuntas. Limpie todas las piezas. En caso necesario, sustituya las juntas tóricas. Tome un émbolo. Deslice el muelle 33, el anillo de cubierta 32 (orificio mayor), el muelle 34, el anillo de soporte 35, (junta tórica 37 mayor en 5-50 µl/10-100µl) y la junta tórica 36 (menor) sobre el émbolo. Engrase la junta tórica con el lubricante incluido con la pipeta. Deslice todas las piezas hacia el interior del cono portapuntas 30 y cierre la unión por presión del anillo 32 de la cubierta.

1-10 µl: Abra con cuidado el cono portapuntas liberando el anillo 32 de la cubierta de su punto de unión por presión, con ayuda de un destornillador. Retire todas las piezas del cono portapuntas. Limpie todas las piezas. En caso necesario, sustituya las juntas tóricas. Tome un émbolo. Deslice el muelle 33, el anillo de la cubierta 32 (orificio mayor), el apoyo 35, la junta tórica 36 (mayor), la junta tórica 37 (menor) y el apoyo de junta tórica 38 sobre el émbolo. A continuación, deslice el muelle 39, el apoyo de muelle 40 (con los bordes afilados por delante) y la junta tórica 41 sobre el apoyo de junta tórica 38. Engrase las juntas tóricas con el lubricante incluido con la pipeta. Deslice todas las piezas hacia el interior del cono portapuntas 30 y cierre la unión por presión del anillo 32 de la cubierta.

11. Instale la barra de émbolos con los émbolos y conos portapuntas en la cubierta. Coloque los pernos de alineación hacia el mismo lado cuando monte el módulo. Cierre la cubierta con los cuatro tornillos. Inserte el clip 22.
12. Coloque el tubo adaptador 46 y el tubo 43 en el cuello del módulo e inserte las garras de bloqueo 44 y 45.
13. Inserte el muelle 13 y las piezas de bloqueo 12 en el vástago de émbolo 16.
14. Coloque el expulsor de puntas en el módulo.
15. Atornille el módulo al mango y apriete con el cabezal nº 2 de la herramienta de servicio.
16. Presione hacia abajo la palanca del expulsor de puntas hasta que escuche un "clic".

Instrucciones de servicio técnico para conos porta-puntas de pipetas multicanal

Para garantizar un correcto funcionamiento de todos los canales de una pipeta multicanal, debe reemplazar a la vez todos los conos porta-puntas siempre que deba reemplazar uno de ellos. No combine conos porta-puntas de paquetes distintos, dado que cada bolsa contiene un conjunto de conos porta-puntas que se corresponden exactamente. Coloque los pernos de alineación hacia el mismo lado cuando monte el módulo. Consulte la imagen de la página 71.

Esterilización

El conjunto de cono portapuntas de una pipeta monocanal puede esterilizarse repetidas veces en autoclave a 121°C (252°F) (2 ata) durante 20 minutos. No puede esterilizarse en autoclave ninguna otra parte, ni las pipetas multicanales. Tras la esterilización en autoclave, el conjunto de cono portapuntas debe dejarse enfriar a temperatura ambiente durante al menos dos horas. Antes de pipetear, asegúrese de que el conjunto de cono portapuntas esté seco. Le recomendamos que compruebe la calibración después de cada ciclo de esterilización.

Piezas esterilizables en autoclave:

Pieza número 42: conjunto de cono portapuntas monocanal

Excepto las piezas números 10 y 14 de los modelos de 0,5-5 ml y 1-10 ml

Los números de las piezas se indican en la sección Repuestos.

Solución de problemas

En la tabla que aparece a continuación se describen varios problemas que pueden surgir y la manera de solucionarlos.

Defecto	Posible causa	Solución
<i>Goteo</i>	<i>Colocación incorrecta de la punta.</i>	<i>Coloque la punta firmemente.</i>
	<i>Presencia de partículas extrañas entre la punta y el cono portapuntas.</i>	<i>Limpie los conos portapuntas y coloque puntas nuevas.</i>
	<i>Presencia de partículas extrañas entre el émbolo, la junta tórica y el cilindro.</i>	<i>Limpie y lubrique la junta tórica y el cilindro.</i>
	<i>Cantidad insuficiente de lubricante en el cilindro y la junta tórica.</i>	<i>Lubrique los componentes correctamente.</i>
	<i>La junta tórica está dañada.</i>	<i>Cambie la junta tórica.</i>
<i>Dispensación errónea</i>	<i>Manejo incorrecto.</i>	<i>Siga las instrucciones atentamente.</i>
	<i>Colocación incorrecta de la punta.</i>	<i>Coloque la punta firmemente.</i>
	<i>Cono portapuntas (monocanal) o módulo (multicanal) suelto</i>	<i>Apriete el cono portapuntas o el módulo con ayuda de la herramienta de servicio.</i>
<i>Dispensación errónea con determinados líquidos</i>	<i>Cambios en la calibración: causados por un mal uso, por ejemplo, una calibración inapropiada.</i>	<i>Vuelva a calibrar la pipeta siguiendo las instrucciones.</i>
	<i>Puede que deba volver a calibrar la pipeta para trabajar con líquidos muy viscosos.</i>	<i>Vuelva a calibrar la pipeta con los líquidos con los que va a trabajar.</i>
<i>Botón de dispensación atascado en posición parcialmente hacia abajo</i>	<i>Se ha aplicado fuerza unilateral en el botón al ajustar el volumen con una mano</i>	<i>Tire del botón hacia arriba y vuelva a empujarlo hacia abajo hasta la posición de bloqueo</i>

ADVERTENCIA

El mantenimiento de la pipeta Finn pipette se puede llevar a cabo fácilmente en el laboratorio. Si desea que nosotros o su representante local realicemos este servicio, envíenos la pipeta, asegurándose de descontaminarla previamente. Tenga en cuenta que las autoridades del servicio de correos de su país pueden prohibir o limitar el envío de materiales contaminados.

製品について

フィンピペットF1は、液体の量を正確に採取して分注するための連続可変式汎用マイクロピペットです。フィンピペットF1は、空気置換（エアインターフェース）方式で動作し、取り外し可能な使い捨てチップを採用しています。

分注容量は、ハンドルにあるディスプレイ（表示窓）に表示されます。

フィンピペットF1の シングルチャンネル ピペットには14種類のモデルがあり、0,2 µl から10 mlまでの容量範囲に対応しています。

製品番号	容量範囲	カラーコード	フィンチップ
4641010N	0,2 µl to	2 µl ピンク	フレックス10、10、20、50
4641020N	0,5 µl to	5 µl ピンク	フレックス10、10、20、50
4641030N	1 µl to	10 µl ピンク	フレックス10、10、20、50
4641040N	1 µl to	10 µl イエロー	フレックス200、250ユニバーサル、200Ext、300、フレックス300
4641050N	2 µl to	20 µl トルコ石	50
4641060N	2 µl to	20 µl イエロー	フレックス200、250ユニバーサル、200Ext、300、フレックス300
4641130N	5 µl to	50 µl トルコ石	50
4641140N	5 µl to	50 µl イエロー	フレックス200、250ユニバーサル、200Ext、300、フレックス300
4641070N	10 µl to	100 µl イエロー	フレックス200、250ユニバーサル、200Ext、300、フレックス300
4641080N	20 µl to	200 µl イエロー	フレックス200、250ユニバーサル、200Ext、300、フレックス300
4641090N	30 µl to	300 µl オレンジ	フレックス300、300
4641100N	100 µl to	1000 µl ブルー	フレックス1000、1000、1000 Ext
4641110N	0,5 ml to	5 ml グリーン	5 ml
4641120N	1 ml to	10 ml レッド	10 ml、フレックス10 ml Ext

フィンピペットF1の容量固定ピペットには13種類のモデルがあり、1 µlから10 mlまでの容量範囲に対応しています。

製品番号	容量範囲	カラーコード	フィンチップ
4651020N	10 µl	ダークブルー	フレックス200、250ユニバーサル、200Ext、300、フレックス300
4651130N	20 µl	ダークブルー	フレックス200、250ユニバーサル、200Ext、300、フレックス300
4651030N	25 µl	ダークブルー	フレックス200、250ユニバーサル、200Ext、300、フレックス300
4651040N	50 µl	ダークブルー	フレックス200、250ユニバーサル、200Ext、300、フレックス300
4651050N	100 µl	ダークブルー	フレックス200、250ユニバーサル、200Ext、300、フレックス300
4651140N	200 µl	ダークブルー	フレックス200、250ユニバーサル、200Ext、300、フレックス300
4651060N	250 µl	ダークブルー	フレックス1000、1000、1000 Ext
4651070N	500 µl	ダークブルー	フレックス1000、1000、1000 Ext
4651080N	1000 µl	ダークブルー	フレックス1000、1000、1000 Ext
4651090N	2000 µl	ダークブルー	5 ml
4651100N	3000 µl	ダークブルー	5 ml
4651110N	5000 µl	ダークブルー	5 ml
4651120N	10000 µl	ダークブルー	10 ml、フレックス10 ml Ext

フィンピペットF1のマルチチャンネルピペットには、次の10種類のモデルがあり、1µlから300 µlまでの分注ができます。

製品番号	チャン		カラー		フィンチップ
	ネル数	容量範囲	コード		
4661000N	8	1 µl to 10 µl	ピンク		フレックス10、10、20、50
4661010N	8	5 µl to 50 µl	イエロー		フレックス200、250ユニバーサル、200Ext、300、フレックス300
4661020N	8	10 µl to 100 µl	イエロー		フレックス200、250ユニバーサル、200Ext、300、フレックス300
4661030N	8	30 µl to 300 µl	オレンジ		フレックス300、300
4661040N	12	1 µl to 10 µl	ピンク		フレックス10、10、20、50
4661050N	12	5 µl to 50 µl	イエロー		フレックス200、250ユニバーサル、200Ext、300、フレックス300
4661060N	12	10 µl to 100 µl	イエロー		フレックス200、250ユニバーサル、200Ext、300、フレックス300
4661070N	12	30 µl to 300 µl	オレンジ		フレックス300、300
4661080N	16	1 µl to 10 µl	パープル		20
4661090N	16	5 µl to 50 µl	トルコ石		50

ディスプレイ

設定した容量は、ハンドルにある大きなデジタルディスプレイ（表示窓）にはっきり表示されます。



材質

フィンピペットF1は、耐摩耗性、耐薬品性に優れた材料で製造されています。

廃棄物処理に関しては、各自治体の環境局にお問い合わせください。詳しくは、弊社（info.pipettes@thermofisher.com）までお問い合わせください。

チップ

フィンチップは、フィンピペットF1と組み合わせて使用することをお勧めします。フィンチップは、コンタミネーションがなく、チップに適した唯一の材質とされる無着色のポリプロピレン製です。また、フィンチップはオートクレープ処理が可能です（121°）。

パッケージ

Finnpipette F1 は、専用パッケージに入れてお届けします。パッケージ内容は以下のとおりです：

1. Finnpiquette F1
2. サービスツール
3. マルチチャンネルサービスツール
4. Finntip（サンプル）
5. チューブ入グリース（製品番号 2203130）
6. 取扱説明書
7. 検定証明書/保証書
8. シェルフハンガー（製品番号 2206040）
9. シール2枚

安全にお使いいただくために

注意事項はこのシンボルマークで表します。

使用目的

この製品の使用目的は、0,2 µlから10 mlまでの量の液体の移動です。

Finnpipette F1 ピペットとFinntipsチップは、信頼性と確実性のある結果を得るためのシステムの検証に責任を有するエンドユーザー用に分析システムのコンポーネントとして設計されています。



健康被害

- ▶ 防護服、保護眼鏡、手袋の着用など、危険防止と安全の指示に関する一般手順に従ってください。
- ▶ 危険性（放射性および感染の可能性など）のある物質の使用と廃棄物処理については、安全に関する指示や一般の試験所基準に従ってください。
- ▶ ピペットとチップはin vivoでの使用を意図していません。ピペットは、ヒトの体内に注入する液体のピペッティングに使用しないでください。
- ▶ チップを他の人に向けて取り外さないでください。

Finnpipette F1 はラボにおいて必要なスキルを持ち、トレーニングを受けた方がご使用ください。製品（ピペットとチップ）の使用前および使用中についての注意を必ずお読みください。F1ピペットは+4° C~+40° Cで使用できます。



不正確な分注結果

- ▶ パフォーマンスは以下によって影響を受けることがあります。
 - a. ピペッティング方法（フォワード法をお勧めします）
 - b. 温度（空気、液体、容器、ピペット、チップ）
 - c. 気圧
 - d. 湿度
 - e. オペレータの個人差。例えば、親指の動き、ピペッティング角度
 - f. 液体濃度、粘性および蒸気圧
 - g. チップの種類

- ▶ ピペッティングパフォーマンスが特定のアプリケーションの結果に重要な影響を及ぼす場合、結果を別な試験で検証するか、それができない場合はデュプリケートをとって確認する必要があります。ピペッティング中の分注容量が正確でない可能性を、完全に排除することはできません。
- ▶ 不正確な分注またはリークを防ぐために、チップがピペットに適切に装着されていることを確認してください。
- ▶ 容量設定ボタンを回すときは、ピペットの容量レンジを超えないでください。ピペットが損傷したり、ピペッティングパフォーマンスに影響を及ぼしたりすることがあります。
- ▶ チップを再使用した場合、ピペッティングパフォーマンスは保証できません。
- ▶ カラーコードが一致するチップとピペットを選択してください。

材料の廃棄

バイオハザード廃棄物または放射性廃棄物の処分には、研究室と国で定められた手順に従ってください。伝染性物質の廃棄に関する現地の規定を参照してください。

警告 先端は伝染性である場合があります。すべての使用済みの先端はバイオハザード廃棄物として廃棄してください。

警告 廃棄前にピペットの汚染除去を行ってください。セクション を参照してください。

廃棄物処理に関しては、各自自治体の環境局にお問い合わせください。詳しくは、弊社 (info.pipettes@thermofisher.com) までお問い合わせください。

元の梱包と梱包材に関しては、正規リサイクル業者を使ってください。

詳細情報は、最寄りのThermo Fisher Scientific代理店に連絡してください。

ピペットの操作

分注容量の設定

1. ピペットの上部にあるプッシュボタンを使って分注容量を設定します。容量設定をするときは、プッシュボタンを引き出します。
2. 分注容量を増やすには、プッシュボタンを 反時計回りに回します。分注容量を減らすには、プッシュボタンを時計回りに回します。
3. 設定したい分注容量がカチッと正しい位置にセットされたことを確認してください。
4. 分注容量は、ピペットの規格範囲を超えて設定しないでください。
規格範囲外までプッシュボタンを無理に回そうとすると、ピペットの故障や損傷の原因になることがあります。
5. プッシュボタンを押し下げて容量をロックします。



IDタグ

IDタグにはピペットの用途、使用者のイニシャル、較正日などを記入できます。タグを取り替えるにはピペットのモジュールを取り外します。ラベルに鉛筆で必要事項を記入し、タグをホルダーと一緒に元通りにスロットに滑り込ませます。

チップイジェクション

コンタミネーション防止のため、各ピペットにチップイジェクタシステムを装備しています。ピペットの先端を廃棄容器に向け、親指でチップイジェクタを押すと、チップに手を触れずに外すことができます。

フィンガーレストの調整

フィンガーレストは、中心位置からいずれの方向にも60度まで回転します。右利きの人は通常、フィンガーレストを左（反時計回り）に回すと、親指でチップイジェクションしやすい位置になります。図を参照してください。

ピペッティングテクニック

プッシュボタンの操作は常にゆっくり行い、特に粘性の高い液体を扱うときは、ゆっくりと押してゆっくりと離します。プッシュボタンをはじくような扱いは決してしないでください。

チップをチップコーンにしっかりと装着してください。

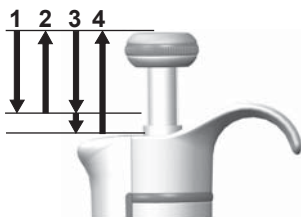
チップ内部に異物が入っていないことを確認してください。

分注を始める前に、分注する溶液を2、3回吸排します。溶液を吸引するときは、ピペットを垂直に保ち、人差し指の上にフィンガーレストがかかるように握ってください。チップ、ピペットおよび溶液が同じ温度であることを確認してください。

フォワード法

分注する溶液をきれいな容器（リザーバー）に入れます。

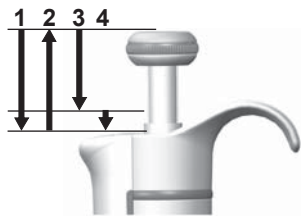
1. プッシュボタンを1段目まで押し下げます。
2. チップを分注液の液面から約1cm下まで浸し、プッシュボタンをゆっくりと離します。チップを溶液から引き上げ、容器の縁に先端を軽く触れて外側についた余分な溶液を除きます。
3. プッシュボタンを1段目まで静かに押し下げ、溶液を分注します。約1秒後に、プッシュボタンをさらに2段目まで押し下げます。この操作により、チップの中が空になります。
4. プッシュボタンを離してレディポジションに戻します。必要に応じてチップを交換し、ピペッティングを続けます。



リバース法

リバース法は、粘性の高い液体や泡立ちやすい溶液の分注に適しています。また、微量分注にもお勧めします。分注する溶液をきれいな容器（リザーバー）に入れます。

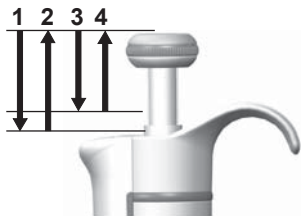
1. プッシュボタンを2段目まで押し下げます。
2. チップを分注液の液面から約1cm下まで浸し、プッシュボタンをゆっくりと離します。この操作により、チップが溶液で満たされます。チップを溶液から引き上げ、容器の縁に先端を軽く触れさせて外側についた余分な溶液を除きます。
3. プッシュボタンを1段目まで静かに押し下げ、設定した容量の溶液を分注します。プッシュボタンを1段目で止めます。チップの中に少量の溶液が残りますが、これは分注しません。
4. チップ内に残った溶液を、廃棄するか元の容器に戻します。



リピート法

リピート法は、同じ溶液を同じ容量だけ、繰り返すばやく分注するのに適しています。分注する溶液をきれいな容器（リザーバー）に入れます。

1. プッシュボタンを2段目まで押し下げます。
2. チップを分注液の液面から約1cm下まで浸し、プッシュボタンをゆっくりと離します。チップが溶液で満たされます。チップを溶液から引き上げ、容器の縁に先端を軽く触れて外側についた余分な溶液を除きます。
3. プッシュボタンを1段目まで静かに押し下げ、設定した容量の溶液を分注します。プッシュボタンを1段目で止めます。チップの中に少量の溶液が残りますが、これは分注しません。
4. 手順3と4を繰り返して分注を続けます。

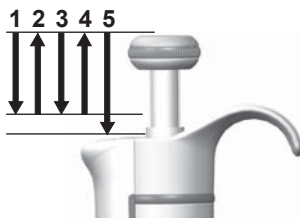


不均質サンプルの分注

(血糖値測定時の除蛋白操作など)

フォワード法の手順1と2に従って、チップに血液を吸引します。
乾いたきれいなティッシュペーパーでチップを慎重に拭ってください。

1. 分注済みの試薬の中にチップを浸し、プッシュボタンを1段目まで押し下げます。チップの先端が常に試薬の液面より下にあることを確認してください。
2. プッシュボタンをゆっくりと離してレディポジションに戻します。チップの中に試薬が入ってきます。チップの先端を試薬に浸したままにしておきます。
3. プッシュボタンを1段目まで押し下げ、ゆっくりと離します。チップの内側が透明になるまでこの操作を繰り返します。
4. 最後にプッシュボタンを2段目まで押し下げ、チップの中を完全に空にします。



キャリブレーション

フィンピペットはすべて、蒸留水またはイオン交換水を使用し、フォワード法により工場出荷時にキャリブレーションを行っています。フォワード法以外の分注法では、結果が異なる場合があります。フィンピペットは、フォワード法以外で分注する場合や、温度や粘性の異なる液体を扱う場合容易に検定および容量調整を行うことができます。

使用機器と検定条件

分析用天秤が必要です。天秤の感量は、ピペットの検定容量に合わせて選択してください。

検定容量	感量
10 μ l未満	0.001 mg
10-100 μ l	0.01 mg
100 μ l超	0.1 mg

検定液は、蒸留水またはイオン交換水 (ISO 3696 「grade 3」に準拠するもの) を使用します。通風がなく、ピペット、チップ、検定液、室温が15~30°Cで安定 ($\pm 0.5^\circ\text{C}$) した状態で検定を行ってください。相対湿度は、50%以上必要です。特に50 μ l以下の容量では、できるだけ湿度が高い方が蒸発の影響を防ぐことができます。エヴァポレーショントラップなどのアクセサリを使用することもお勧めします。

検定

ピペットは、最大容量 (通常容量) と最小容量で検定します。新しいチップを装着し、検定液の吸排を3~5回行った後、それぞれの容量について10回ずつピペッティングを行います。ピペットは、常に選択した容量を分注 (Ex) するように調整します。フォワード法の使用をお勧めします。最大許容誤差は、フォワード法に合わせて定められています。マルチチャンネルの場合は全てのチャンネルを検定することをお勧めしますが、両端チャンネルのみで検定することも可能です。調整は中央のどちらかのチャンネルにて行います。後述のISO8655キャリブレーション規格の表またはお客様がお決めになった規格で比較することをお勧めします。

手順:

1. 最小容量で10回ピペッティングし、天秤でそれぞれの重量を測定します。
2. 最大容量で10回ピペッティングし、天秤でそれぞれの重量を測定します。
3. それぞれの容量について、不正確度 (A) と不精密度 (cv) を計算します。
4. 結果を表1の規格と比較します。

計算結果が選択した容量の規格値の範囲内ならば、ピペットが正常に調整されています。

ISO8655キャリブレーション規格

Thermo Scientific Finnpiptette F1の仕様はISO8655規格に準拠しています。

Finnpiptette F1容量可変シングルチャンネル

範囲	検定容量 μl	不正確度		不精密度	
		μl	%	s.d. μl	cv%
0,2-2 μl	2	± 0.080	± 4	0.040	2.0
	0.2	± 0.080	± 40	0.040	20.0
0,5-5 μl	5	± 0.125	± 2.5	0.075	1.5
	0.5	± 0.125	± 25	0.075	15
1-10 μl	10	± 0.120	± 1.2	0.080	0.8
	1	± 0.120	± 12	0.080	8.0
2-20 μl	20	± 0.20	± 1.0	0.10	0.5
	2	± 0.20	± 10.0	0.10	5.0
5-50 μl	50	± 0.50	± 1.0	0.20	0.4
	5	± 0.50	± 10	0.20	4.0
10-100 μl	100	± 0.80	± 0.8	0.30	0.3
	10	± 0.80	± 8.0	0.30	3.0
20-200 μl	200	± 1.60	± 0.8	0.60	0.3
	20	± 1.60	± 8.0	0.60	3.0
30-300 μl	300	± 4.0	± 1.3	1.5	0.5
	30	± 4.0	± 13	1.5	5.0
100-1000 μl	1000	± 8.0	± 0.8	3.0	0.3
	100	± 8.0	± 8.0	3.0	3.0
0,5-5 ml	5000	± 40.0	± 0.8	15.0	0.3
	500	± 40.0	± 8.0	15.0	3.0
1-10 ml	10000	± 60.0	± 0.6	30.0	0.3
	1000	± 60.0	± 6.0	30.0	3.0

Finnpiptette F1容量固定シングルチャンネル

固定容量 μl	不正確度		不精密度	
μl	μl	%	s.d. μl	cv%
10	± 0.120	± 1.20	0.080	0.80
20	± 0.20	± 1.00	0.10	0.50
25	± 0.50	± 2.00	0.20	0.80
50	± 0.50	± 1.00	0.20	0.40
100	± 0.80	± 0.80	0.30	0.30
200	± 1.60	± 0.80	0.60	0.30
250	± 4.00	± 1.60	1.50	0.60
500	± 4.00	± 0.80	1.50	0.30
1000	± 8.00	± 0.80	3.00	0.30
2000	± 16.0	± 0.80	6.00	0.30
3000	± 40.0	± 1.33	15.00	0.50
5000	± 40.0	± 0.80	15.00	0.30
10000	± 60.0	± 0.60	30.00	0.30

Finnpiptette F1容量可変マルチチャンネル

範囲	チャンネル数	検定容量 μl	不正確度		不精密度	
			μl	%	s.d. μl	cv%
1-10 μl	8, 12, 16	10	± 0.24	± 2.4	0.16	1.6
		1	± 0.24	± 24	0.16	16
5-50 μl	8, 12, 16	50	± 1.0	± 2.0	0.4	0.8
		5	± 1.0	± 20	0.4	8.0
10-100 μl	8, 12	100	± 0.80	± 0.8	0.30	0.3
		10	± 0.80	± 8.0	0.30	3.0
30-300 μl	8, 12	300	± 8.0	± 2.7	3.0	1.0
		30	± 8.0	± 26.7	3.0	10.0

メーカー規格

Finnpipette F1容量可変シングルチャンネル

範囲	検定容量	不正確度		不精密度		工場キャリブレーションチップ
	μl	μl	%	s.d. μl	cv%	
0.2-2 μl	2	$\pm 0,050$	$\pm 2,50$	0,040	2,00	Flex 10
	0,2	$\pm 0,024$	$\pm 12,00$	0,020	10,00	
0.5-5 μl	5	$\pm 0,075$	$\pm 1,50$	0,050	1,00	Flex 10
	0,5	$\pm 0,030$	$\pm 6,00$	0,025	5,00	
1-10 μl , micro	10	$\pm 0,100$	$\pm 1,00$	0,050	0,50	Flex 10
	1	$\pm 0,025$	$\pm 2,50$	0,020	2,00	
1-10 μl	10	$\pm 0,100$	$\pm 1,00$	0,080	0,80	Flex 200
	1	$\pm 0,035$	$\pm 3,50$	0,030	3,00	
2-20 μl , micro	20	$\pm 0,20$	$\pm 1,00$	0,08	0,40	50
	2	$\pm 0,06$	$\pm 3,00$	0,05	2,50	
2-20 μl	20	$\pm 0,20$	$\pm 1,00$	0,08	0,40	Flex 200
	2	$\pm 0,06$	$\pm 3,00$	0,05	2,50	
5-50 μl , micro	50	$\pm 0,30$	$\pm 0,60$	0,15	0,30	50
	5	$\pm 0,15$	$\pm 3,00$	0,125	2,50	
5-50 μl	50	$\pm 0,30$	$\pm 0,60$	0,15	0,30	Flex 200
	5	$\pm 0,15$	$\pm 3,00$	0,125	2,50	
10-100 μl	100	$\pm 0,80$	$\pm 0,80$	0,20	0,20	Flex 200
	10	$\pm 0,30$	$\pm 3,00$	0,10	1,00	
20-200 μl	200	$\pm 1,2$	$\pm 0,60$	0,4	0,20	Flex 200
	20	$\pm 0,36$	$\pm 1,80$	0,14	0,70	
30-300 μl	300	$\pm 1,8$	$\pm 0,60$	0,6	0,20	Flex 300
	30	$\pm 0,45$	$\pm 1,50$	0,18	0,60	
100-1000 μl	1000	$\pm 6,0$	$\pm 0,60$	2,0	0,20	Flex 1000
	100	$\pm 1,0$	$\pm 1,00$	0,6	0,60	
0,5-5 ml	5000	$\pm 25,0$	$\pm 0,50$	10,0	0,20	5 ml
	500	$\pm 10,0$	$\pm 2,00$	4,0	0,80	
1-10 ml	10000	$\pm 50,0$	$\pm 0,50$	20,0	0,20	10 ml
	1000	$\pm 20,0$	$\pm 2,00$	8,0	0,80	

Finnpipette F1容量固定シングルチャンネル

固定容量	不正確度		不精密度		工場キャリブレーションチップ
μl	μl	%	s.d. μl	cv%	
10	$\pm 0,090$	$\pm 0,90$	0,080	0,80	Flex 200
20	$\pm 0,14$	$\pm 0,70$	0,10	0,50	Flex 200
25	$\pm 0,15$	$\pm 0,60$	0,125	0,50	Flex 200
50	$\pm 0,30$	$\pm 0,60$	0,20	0,40	Flex 200
100	$\pm 0,40$	$\pm 0,40$	0,30	0,30	Flex 200
200	$\pm 0,80$	$\pm 0,40$	0,60	0,30	Flex 200
250	$\pm 1,0$	$\pm 0,40$	0,75	0,30	Flex 1000
500	$\pm 1,5$	$\pm 0,30$	1,5	0,30	Flex 1000
1000	$\pm 3,0$	$\pm 0,30$	3,0	0,30	Flex 1000
2000	$\pm 6,0$	$\pm 0,30$	4,0	0,20	5 ml
3000	$\pm 9,0$	$\pm 0,30$	6,0	0,20	5 ml
4000	$\pm 12,0$	$\pm 0,30$	8,0	0,20	5 ml
5000	$\pm 15,0$	$\pm 0,30$	10,0	0,20	5 ml
10000	$\pm 30,0$	$\pm 0,30$	20,0	0,20	10 ml

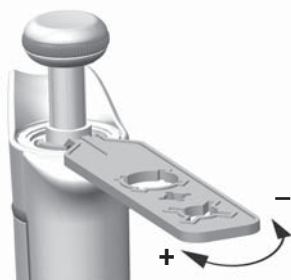
Finnpipette F1容量可変マルチチャンネル

範囲	チャンネル数	検定容量	不正確度	不精密度		工場キャリブレーションチップ	
		μl	μl %	s.d. μl	cv%		
1.0-10 μl	8, 12, 16	10	$\pm 0,240$	$\pm 2,40$	0,160	1,60	Flex 10
		1	$\pm 0,120$	$\pm 12,00$	0,080	8,00	
5-50 μl	8, 12, 16	50	$\pm 0,75$	$\pm 1,50$	0,35	0,70	Flex 200
		5	$\pm 0,25$	$\pm 5,00$	0,10	2,00	
10-100 μl	8, 12	100	$\pm 1,30$	$\pm 1,30$	0,50	0,50	Flex 200
		10	$\pm 0,50$	$\pm 5,00$	0,20	2,00	
30-300 μl	8, 12	300	$\pm 3,0$	$\pm 1,00$	0,9	0,30	Flex 300
		30	$\pm 1,5$	$\pm 5,00$	0,6	2,00	

調整

調整は1つの容積に対してのみ行います。推奨される調整容積は、最小容積または最大容積の10%です。マルチチャンネルの場合は中央のどちらかのチャンネルにて調整します。

1. サービスツールを、ハンドル上端にあるキャリブレーションナットの開口部に差し込みます。
2. サービスツールを時計回りに回すと分注容量が増し、反時計回りに回すと分注容量が減ります。
3. 調整後に、上の手順に従って再度検定を行い、規格に適合するかどうかを確認してください。



計算式

重量から容量への変換

$$V = (w + e) \times Z$$

V = 容量 (μl)
 w = 重量 (mg)
 e = 蒸発量 (mg)
 Z = 変換係数 ($\mu\text{l}/\text{mg}$ 変換)

蒸発量は、特に微量の検定で問題になることがあります。蒸発量を調べるには、検定液を測定容器に分注し、天秤で重量を読み取って記録し、直ちにストップウォッチを押します。読み取り値が30秒でどのくらい減少するか（例えば6 mg = 0.2 mg/秒）を調べます。読み取った重量を風袋消去から読み取りまでにかかるピペッティング時間と比較します。1回のピペッティング（風袋消去-分注-読み取り）に10秒かかるとすると、この例では、蒸発量は2 mg (10s x 0.2mg/秒) になります。エヴァポレーショントラップや容器のふたなどを使用する場合は、通常、蒸発に関する補正は必要ありません。

変換係数Zは、検定時の温度および気圧での水の重量を容量に換算するための係数です。例えば、22°C、95kPaの場合は、1.0032 $\mu\text{l}/\text{mg}$ です。詳しくは、62ページの変換係数表を参照してください。

不正確度（システム誤差）

不正確度は、実際に分注された容量と設定した分注容量との差異です。

$$A = \bar{V} - V_0$$

A = 不正確度
 \bar{V} = 分注容量の平均値
 V_0 = 設定した分注容量

誤差は、以下の相対値として表すことができます。 $A\% = 100\% \times A / V_0$

不精密度（ランダム誤差）

不精密度は、ピペッティングの再現性を表します。不精密度は、標準偏差 (s) または変動係数 (cv) で表します。

$$S = \sqrt{\frac{\sum_{i=1}^n (V_i - \bar{V})^2}{n-1}}$$

s = 標準偏差
 \bar{V} = 分注容量の平均値
 n = 測定回数

標準偏差は、以下の相対値 (CV) として表すことができます。 $CV = 100\% \times S / \bar{V}$

メンテナンス

フィンピペットF1を使用しないときは、垂直に立てて保管してください。フィンピペット用スタンドを使うと便利です。

パーツ番号は、63ページ以降の分解図に対応しています。

短期点検

毎日、ピペットを使用する前に、ピペットにほこりや汚れが付いていないかどうかを確認してください。

特に、チップコーンについては注意が必要です。ピペットのクリーニングには、70%エタノール以外の溶剤は使用しないでください。

長期点検、シングルチャンネルピペット

ピペットを毎日使用する場合は、3か月ごとに点検を行ってください。まず、ピペットを分解します。

2-1000 µlピペット

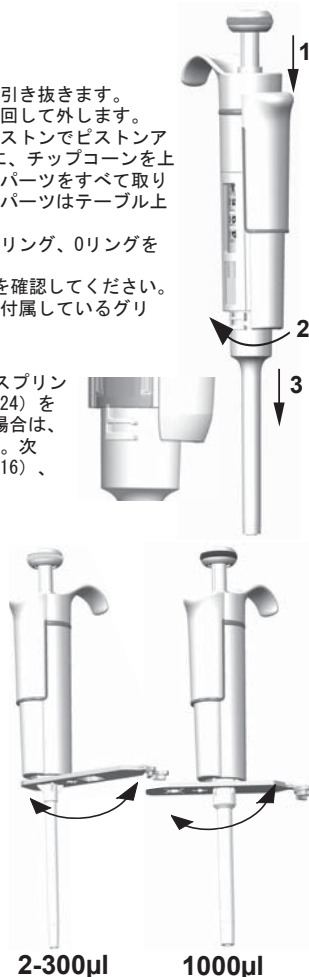
1. チップイジェクタを押します。
2. チップイジェクタ (11) を反時計回りに回して引き抜きます。
3. サービスツールでチップコーンを反時計回りに回して外します。
4. ピストンとその他のパーツを引き抜きます。ピストンでピストンアセンブリの残りのパーツを押し出します。次に、チップコーンを上下逆さまにし、軽くたたいてチップコーンからパーツをすべて取り出します。あとで組み立て直すときに備えて、パーツはテーブル上に順番に置いてください。
5. けばのない乾いた布でピストン、ピストンスプリング、Oリングを拭きます。
6. チップコーンの内部に異物が入っていないことを確認してください。
7. クリーニングの終わったパーツに、ピペットに付属しているグリースを塗布します。
8. ピペットのパーツを組み立てます。

0.2-2µl、0.5-5µlおよび1-10 µl : まず、スプリング (22)、Oリングサポート (23)、Oリング (24) をチューブ (21) に通します。0.2-2µlモデルの場合は、チューブ (27) をチューブ (21) に挿入します。次に、スプリング (13)、スプリングサポート (16)、チューブ (17、18)、Oリング (大、19) とOリング (小、20) を元通りにピストンに通します。ピストンとスプリングサポート (16) を指で押し合わせてスプリングを圧縮し、チューブ (21) を他のパーツと一緒にピストンに通します。スプリングを圧縮したまま、組み立てたアセンブリ体をチップコーンに慎重に滑り込ませ、スプリングを離します。

2-20 µl および5-50 µl : スプリング (13)、スプリングサポート (16)、チューブ (17、18)、Oリング (大、19)、Oリング (小、20) を元通りにピストンに通します。ピストンとスプリングサポート (16) を指で押し合わせてスプリングを圧縮し、Oリング (大、19)、Oリング (小、20)、スプリングサポート (21)、スプリング (22) (スプリングサポート (21) より直径が小さい) をピストンに通します。スプリングを圧縮したまま、組み立てたアセンブリ体をチップコーンに慎重に滑り込ませ、スプリングを離します。

10-100 µl および20-200 µl : スプリング (13)、スプリングサポート (16)、Oリング (17) を元通りにピストンに通します。組み立てパーツ全体をチップコーンに滑り込ませます。

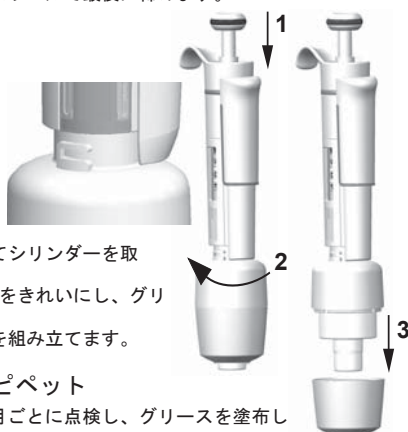
100-1000µL : Oリング (17) とサポートリング (16) をチップコーンに取り付けます。スプリング (13) をピストンに通し、組み立てたアセンブリをチップコーンに滑り込ませます。



- 共通：スプリング15とサポート14をチップコーンの上部に置き、チップコーンアセンブリをハンドルに慎重に挿入します。チップコーンを最初に時計回りに回しながら手で締めつけ、それからサービストールで最後に締めます。
- チップイジェクタを組み立てます。

0.5-5mlおよび1-10 ml ピペット

- チップイジェクタを押します。
- チップイジェクタ (10) を反時計回りに回して開けます。
- チップイジェクタ (14、留め具) の下部を分解します。
- シリンダー (13) を反時計回りに回してチップコーンアセンブリを引き抜きます。
- シリンダー (13) の留め具を押してシリンダーを取り外します。
- Oリング (12) とシリンダー (13) をきれいにし、グリースを塗布します。
- 分解したときの逆の順序でパーツを組み立てます。



長期点検、マルチチャンネルピペット

ピペットを毎日使用する場合は、3か月ごとに点検し、グリースを塗布してください。

- サービストールのヘッドNo. 1をリング (15) とイジェクタ (23) の間に差し込みます。パーツが互いにカチッと合まるまでツールを押し込みます。
- イジェクタのレバーが上がった状態であることを確認して、モジュールのチップイジェクタ部分を引き下げます。
- サービストールのヘッドNo. 2をアダプタチューブ (46) の開口部に差し込みます。
- チップイジェクタの上端部を少し開けて、チップイジェクタを取り外します。
- ハンドルのモジュールのねじを回して取り外します。
- 取除きなさい (22) を引き出します。
- スプリング (13) を押し、ロッキングピース (12) を外します。スプリング (13) を外します。
- ロックつめ (44、45) を外し、アダプタチューブ (46) とチューブ (43) を引き抜きます。
- ドライバを使用してモジュール・カバーに装着された4のネジ (20、21) を外し、カバーを取り外します。
- ピストン・バー (16) を取り外し、けばのない乾いた布でピストン (31) およびチップコーン (42) を拭きます。
- 必要な場合は、チップコーンを点検します。

16チャンネル1-10μl：チップコーンの点検はできません。必要に応じて交換してください。

30-300 μl、10-100μlおよび5-50 μl：ドライバを使用して、スナップジョイントからカバーリング (32) を慎重に離し、チップコーンを開きます。チップコーンからすべてのパーツを取り外します。すべてのパーツを掃除します。必要な場合は、Oリングを交換します。ピストンを1つ取ります。スプリング (33)、カバーリング (大、32)、スプリング (34)、サポートリング (35)、Oリング (大、37) 5-50μL/10-100μL、Oリング (小、36) をピストンに通します。Oリングに、ピペットに同封されているグリースを塗布します。すべてのパーツをチップコーン (30) に滑り込ませ、カバーリング (32) のスナップジョイントを閉じます。

1-10 μl：ドライバを使用して、スナップジョイントからカバーリング (32) を慎重に離し、チップコーンを開きます。チップコーンからすべてのパーツを取り外します。すべてのパーツを掃除します。必要な場合は、Oリングを交換します。ピストンを1つ取ります。スプリング (33)、カバーリング (大、32)、サポート (35)、Oリング (大、36)、Oリング (小、37)、Oリングサポート (38) をピストンに通します。次に、スプリング (39)、スプリングサポート (40、尖っている方から)、Oリング (41) をOリングサポート (38) に通します。Oリングに、ピペットに同封されているグリースを塗布します。すべてのパーツをチップコーン (30) に滑り込ませ、カバーリング (32) のスナップジョイントを閉じます。

- ピストンとチップコーンとともにピストンバーをカバーの中に取り付けてください。モジュールを組み立てるときは、同じ側面に調整金具を取り付けてください。4本のねじでカバーを閉じます。クリップ (22) を挿入します。
- アダプタチューブ (46) とチューブ (43) をモジュールのくびの部分にセットし、ロックつめ (44、45) を挿入します。

13. ピストンロッド (16) にスプリング (13) とロック (12) を挿入します。
14. モジュールの上にチップジェクタをセットします。
15. モジュールのハンドルのねじを回し、サービスツールのヘッドNo. 2で締めます。
16. チップジェクタのレバーを「カチッ」と音がするまで押し下げます。

マルチチャンネルピペットのチップコーン交換

マルチチャンネルピペットのすべてのチャンネルにおいて均一の性能を保証するために、チップコーンの一部を交換する必要がある場合には、同時にすべてのチップコーンを交換してください。交換用パーツのパッケージにはセットされたチップコーンが入っていますので、別のパッケージのチップコーンと混ぜないでください。モジュールを組み立てるときは、同じ側面に調整金具を取り付けてください。71ページの図を参照してください。

滅菌

フィンピペットF1のシングルチャンネルピペットのチップコーンアッシー（アセンブリ）は、121°C (2 ata) で20分間、オートクレーブ滅菌を行うことができます。その他のパーツおよびマルチチャンネルピペットは、オートクレーブ滅菌できません。オートクレーブ滅菌を行った後は、チップコーンアッシーを2時間以上かけて室温に戻す必要があります。ピペットを使用する前に、チップコーンアッシーが乾いていることを確認してください。滅菌を実施した後は、キャリブレーションを行うことをお勧めします。

オートクレーブ滅菌が可能なパーツ：

パーツ番号42：シングルチャンネル・チップコーンアッシー

0.5-5ml モデルおよび 1-10ml モデルのパーツ番号10および14のパーツを除く

パーツ番号は「スペアパーツ」のセクションに記載されています。

トラブルシューティング

症状	原因	対処方法
液漏れ	チップが正しく装着されていない	チップをしっかり装着する
	チップコーンとチップの間に異物がある	チップコーンをきれいにし、新しいチップを装着する
	ピストン、O-リング及びシリンダの間に異物がある	ピストン、O-リングとシリンダをきれいにし、グリースを塗る
	グリース切れ	O-リング、シリンダ、ピストンにグリースを塗る
	O-リングの磨耗	O-リングを交換する
分注精度が悪い	操作が正しく行われていない	取扱説明書にしたがって注意深く操作する
	チップが正しく装着されていない	チップをしっかり装着する
	キャリブレーションのずれ（誤操作などのため）	取扱説明書にしたがってキャリブレーションを行う
	チップコーン（シングルチャンネル）またはモジュール（マルチチャンネル）がゆるい	サービスツールでチップコーンまたはモジュールを締めます
特定の液体の分注精度が悪い	不適切なキャリブレーション（粘性の高い液体はその液体でキャリブレーションを行う必要がある）	分注する液体を使用してキャリブレーションを行う
分注ノブが半分下になったまま動かない	片手で分注容量をセットした時に、ノブに力が均一に加わっていない	分注ノブを上にはっきり、再度押し下げて、ロックさせる

保証規定

万一、故障、不具合が生じた場合には、下記の規定に従って修理させていただきます。ご購入いただきました販売店または下記の輸入販売元にお申し付けください。

保証期間	ご購入の日から3年間（但し、Web登録した場合は5年間。 保証登録URL: www.thermofisher.co.jp/finn/w ）
保証書	同封の「Finnpipette Warranty Certificate(英文)」が保証書となります。 紛失しないよう大切に保管してください。
無償修理の範囲	以下の条件を満たす場合は、無償で修理いたします。 1. 保証期間内であること。 2. 保証書 (Finnpipette Warranty Certificate, 英文) の添付があること。 3. 本取扱説明書にしたがい、通常の用法でご使用の場合。 4. フィンピペットに、純正フィンチップを組合せてご使用の場合。 5. その他製造上、材質上の欠陥が原因と認められた場合。
有償修理の範囲	以下の場合の修理は、保証期間内であっても、有償とさせていただきます。 1. 誤った使用が原因の故障または損傷。 2. 不当な修理改造による故障または損傷。 3. 納品後の移動、輸送あるいは落下が原因の場合。 4. 火災、天災地変その他不可抗力の災害による場合。 5. 過度の使用が原因の摩耗、損傷。 6. Oリング等の消耗部品の摩耗。 7. キャリブレーションまたはクリーニングを依頼される場合。 8. 物理的損傷または化学薬品による損傷。 9. 保証書 (Finnpipette Warranty Certificate, 英文) の添付がない場合。
輸入販売元	サーモフィッシャーサイエンティフィック株式会社 ラボプロダクツ事業本部 〒221-0022 横浜市神奈川区守屋町3-9 C棟 問合せ先 フィンピペットサービス TEL 045-453-9227 FAX 045-453-9228

注意!

フィンピペットは、ユーザーの皆様自身で簡単にメンテナンスしていただけるように設計されています。

修理や検定のために販売元へ返送される場合には、返送前に必ず汚染除去/消毒を行ってください。

Conversion table

Value of the conversion factor Z ($\mu\text{l}/\text{mg}$), as a function of temperature and pressure, for distilled water.

Umrechnungstabelle

Wert des Umrechnungsfaktors Z ($\mu\text{l}/\text{mg}$) als eine Funktion von Temperatur und Druck für destilliertes Wasser.

Table de conversion

Valeur du facteur de conversion Z ($\mu\text{l}/\text{mg}$), comme fonction de la température et de la pression, pour de l'eau distillée.

Tabla de conversiones

Valor del factor de conversión Z ($\mu\text{l}/\text{mg}$), como función de temperatura y presión, para el agua destilada.

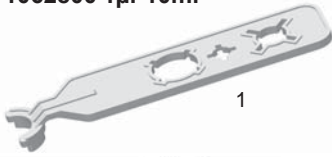
変換係数表

変換係数 Z ($\mu\text{l}/\text{mg}$)は温度と気圧の関数になります。蒸留水の場合の値を表に示します。

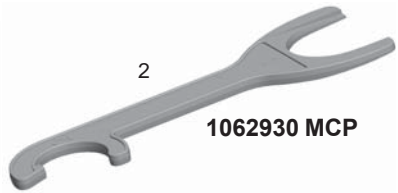
Temperature °C	Air pressure kPa						
	80	85	90	95	100	101,3	105
15,0	1,0017	1,0018	1,0019	1,0019	1,0020	1,0020	1,0020
15,5	1,0018	1,0019	1,0019	1,0020	1,0020	1,0020	1,0021
16,0	1,0019	1,0020	1,0020	1,0021	1,0021	1,0021	1,0022
16,5	1,0020	1,0020	1,0021	1,0021	1,0022	1,0022	1,0022
17,0	1,0021	1,0021	1,0022	1,0022	1,0023	1,0023	1,0023
17,5	1,0022	1,0022	1,0023	1,0023	1,0024	1,0024	1,0024
18,0	1,0022	1,0023	1,0023	1,0024	1,0025	1,0025	1,0025
18,5	1,0023	1,0024	1,0024	1,0025	1,0025	1,0026	1,0026
19,0	1,0024	1,0025	1,0025	1,0026	1,0026	1,0027	1,0027
19,5	1,0025	1,0026	1,0026	1,0027	1,0027	1,0028	1,0028
20,0	1,0026	1,0027	1,0027	1,0028	1,0028	1,0029	1,0029
20,5	1,0027	1,0028	1,0028	1,0029	1,0029	1,0030	1,0030
21,0	1,0028	1,0029	1,0029	1,0030	1,0031	1,0031	1,0031
21,5	1,0030	1,0030	1,0031	1,0031	1,0032	1,0032	1,0032
22,0	1,0031	1,0031	1,0032	1,0032	1,0033	1,0033	1,0033
22,5	1,0032	1,0032	1,0033	1,0033	1,0034	1,0034	1,0034
23,0	1,0033	1,0033	1,0034	1,0034	1,0035	1,0035	1,0036
23,5	1,0034	1,0035	1,0035	1,0036	1,0036	1,0036	1,0037
24,0	1,0035	1,0036	1,0036	1,0037	1,0037	1,0038	1,0038
24,5	1,0037	1,0037	1,0038	1,0038	1,0039	1,0039	1,0039
25,0	1,0038	1,0038	1,0039	1,0039	1,0040	1,0040	1,0040
25,5	1,0039	1,0040	1,0040	1,0041	1,0041	1,0041	1,0042
26,0	1,0040	1,0041	1,0041	1,0042	1,0042	1,0043	1,0043
26,5	1,0042	1,0042	1,0043	1,0043	1,0044	1,0044	1,0044
27,0	1,0043	1,0044	1,0044	1,0045	1,0045	1,0045	1,0046
27,5	1,0045	1,0045	1,0046	1,0046	1,0047	1,0047	1,0047
28,0	1,0046	1,0046	1,0047	1,0047	1,0048	1,0048	1,0048
28,5	1,0047	1,0048	1,0048	1,0049	1,0049	1,0050	1,0050
29,0	1,0049	1,0049	1,0050	1,0050	1,0051	1,0051	1,0051
29,5	1,0050	1,0051	1,0051	1,0052	1,0052	1,0052	1,0053
30,0	1,0052	1,0052	1,0053	1,0053	1,0054	1,0054	1,0054

Spare parts
Ersatzteile
Pieces detachees
Piezas de recambio
 パーツ及び付属品

1062800 1µl-10ml



1

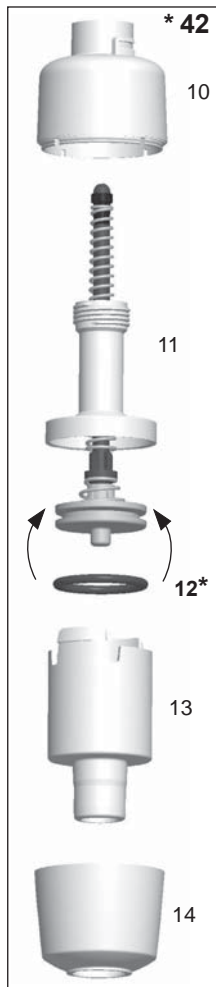


2

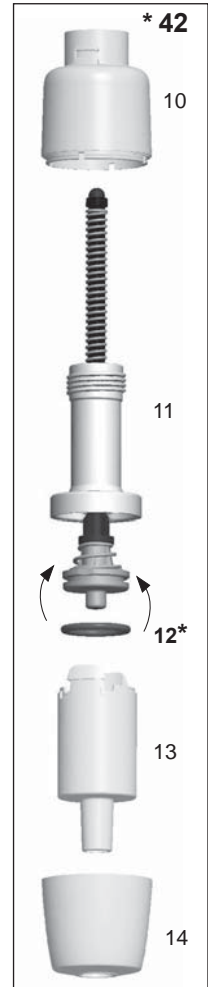
1062930 MCP



1-10 ml
6-10 ml Fixed



0.5-5 ml
2-5 ml Fixed



* 12. O-ring

* 42. Tip Cone assy

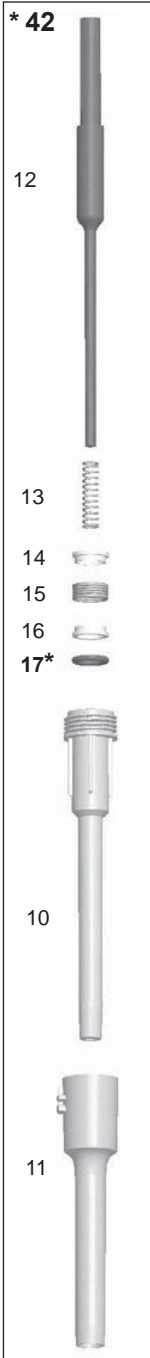
12. 1033050 10ml

12. 1030230 5ml

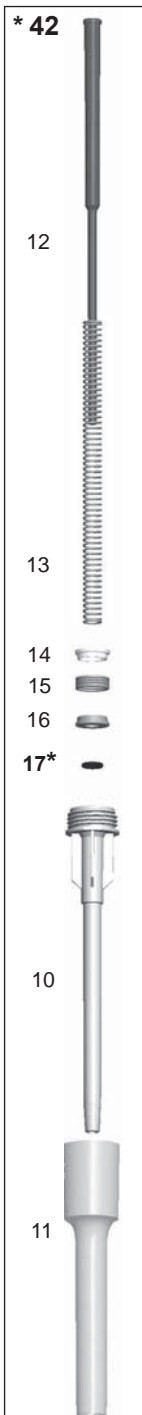
42. 2212260N 1-10ml

42. 2212250N 0.5-5ml

100-1000µl
250 / 500 / 1000µl
Fixed



30-300µl



- * 17. O-ring
- * 42. Tip Cone assy

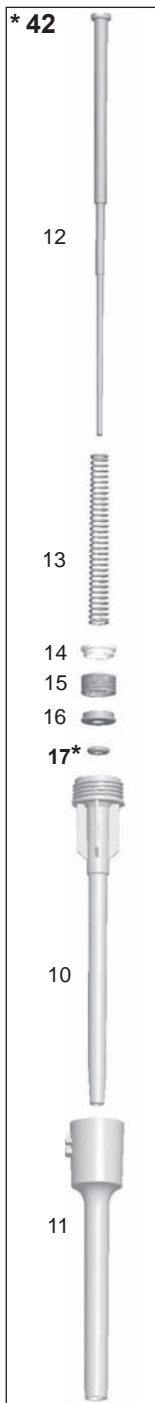
100-1000µl
250 µl Fixed
500 µl Fixed
1000µl Fixed

- 17. 1030020
- 42. 2212240

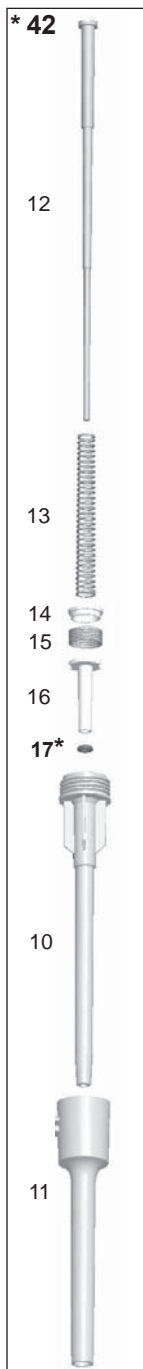
30-300µl

- 17. 1033330
- 42. 2212220

20-200µl
200µl Fixed



10-100µl
25 / 50 / 100µl
Fixed



- * 17. O-ring
- * 42. Tip Cone assy

20-200µl
200 µl Fixed

- 17. 1030160
- 42. 2212210

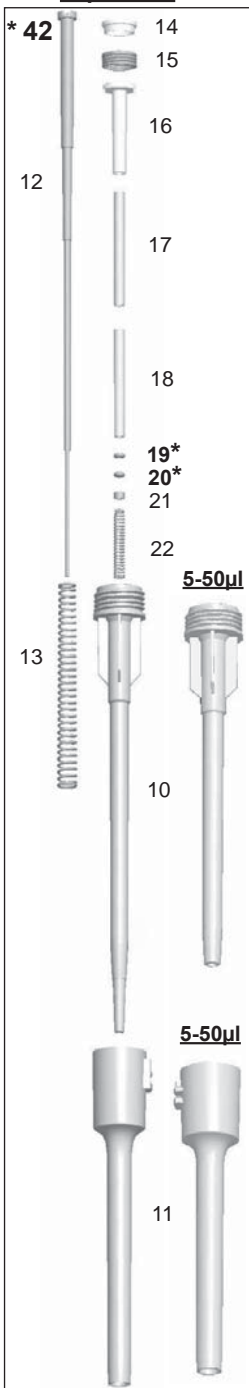
10-100µl
25 µl Fixed
50 µl Fixed
100 µl Fixed

- 17. 1030510
- 42. 2212200

2-20µl / 2-20µl Micro

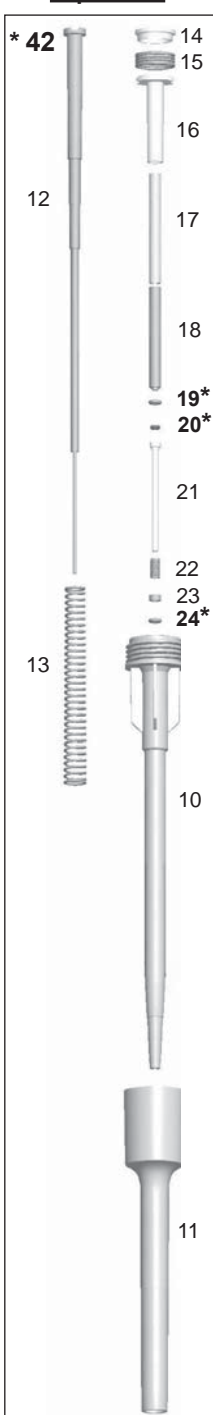
5-50µl / 5-50µl Micro

20µl Fixed



1-10µl / 1-10µl Micro

10µl Fixed



- * 19. O-ring
- * 20. O-ring
- * 24. O-ring
- * 42. Tip Cone assy

2-20µl

2-20 µl Micro

20 µl Fixed

- 19. 1030380
- 20. 1033110
- 42. 2212190 2-20µl
- 42. 2212180 2-20µl Micro
- 42. 2212190 Fix 20µl

5-50µl

5-50 µl Micro

- 19. 1030500
- 20. 1033060
- 42. 2213050 5-50µl
- 42. 2213030 5-50µl Micro

1-10µl

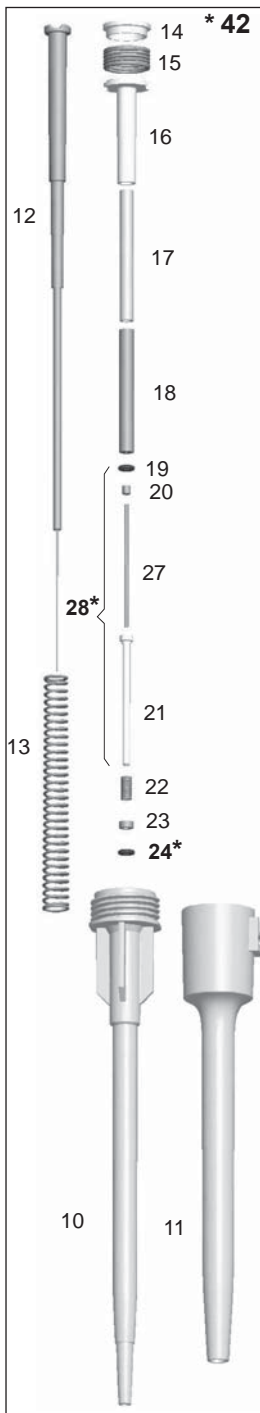
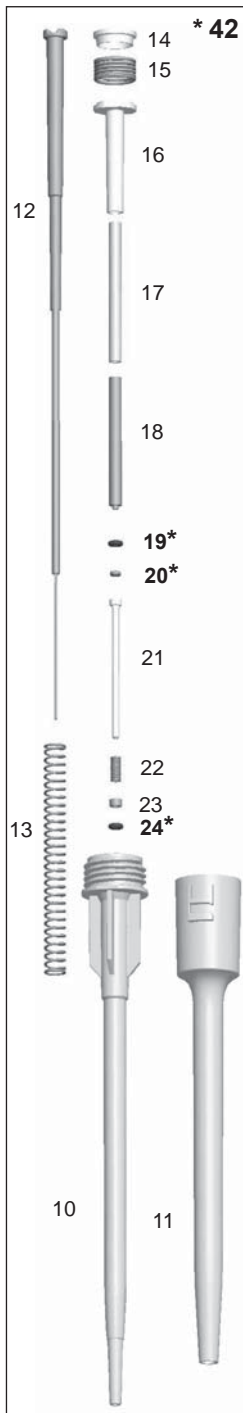
1-10 µl Micro

10 µl Fixed

- 19. 1030380
- 20. 1030060
- 24. 1030170
- 42. 2212170 1-10µl
- 42. 2212110 1-10µl Micro
- 42. 2212170 Fix 10µl

0.5-5 µl

0.2-2 µl



- * 19. O-ring
- * 20. O-ring
- * 24. O-ring
- * 28. Sealing Combination
- * 42. Tip Cone assembly

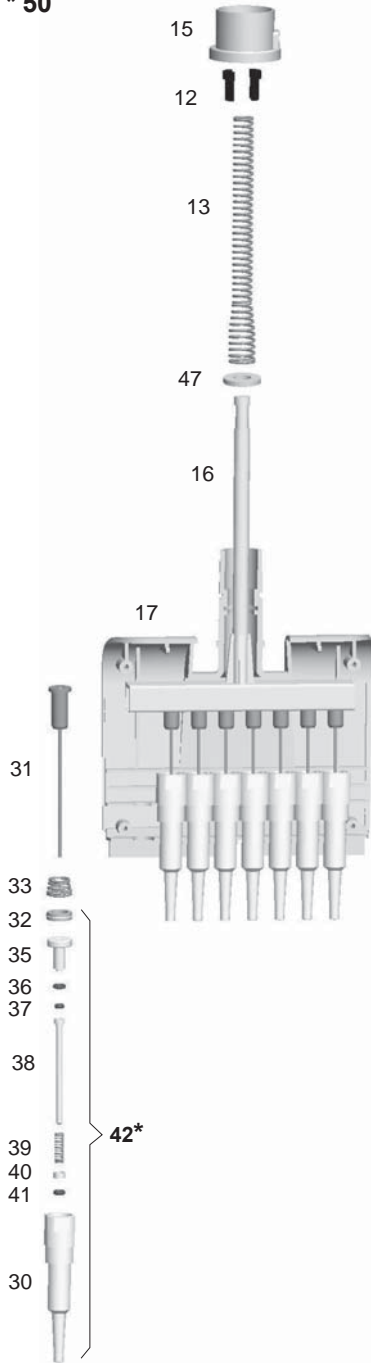
0.5-5 µl

- 19. 1030380
- 20. 1033160
- 24. 1030170
- 42. 2212100

0.2-2 µl

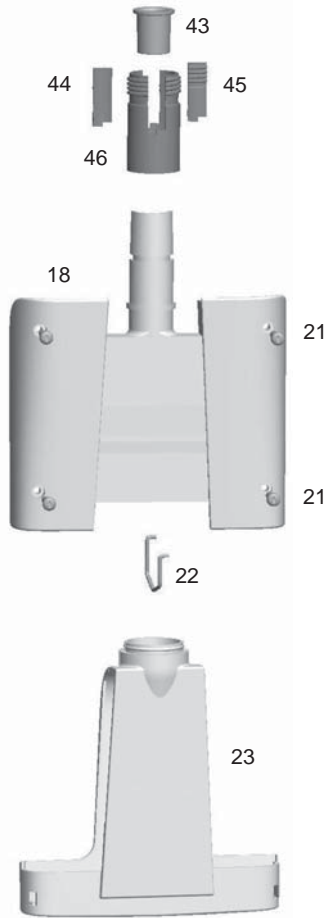
- 24. 1030170
- 28. 2205730
- 42. 2212090

*** 50**



*** 42. Tip Cone assy**

*** 50. Module**

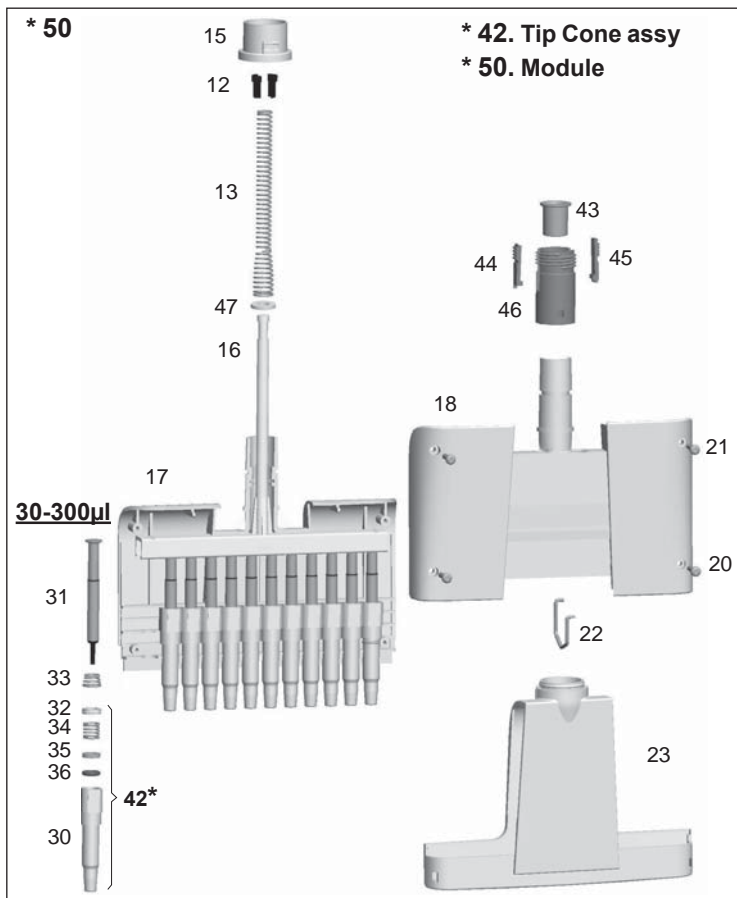


1-10µl

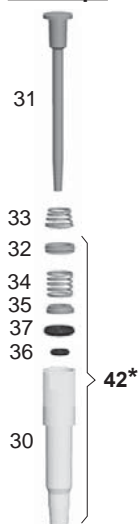
42. 2209110 12 pcs

50. 2212330N 8-ch

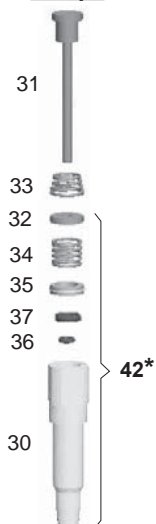
50. 2212340N 12-ch



10-100 μ l



5-50 μ l



30-300 μ l

- 42. 2209350 12 pcs
- 50. 2212390N 8-ch
- 50. 2212400N 12-ch

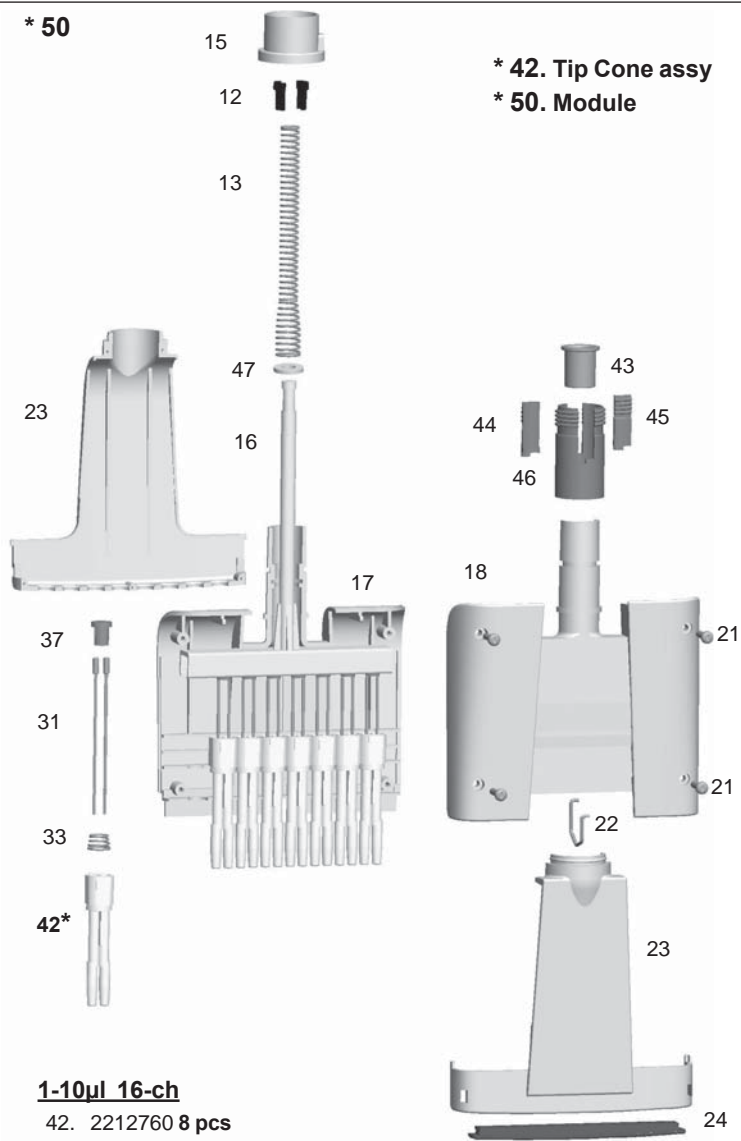
10-100 μ l

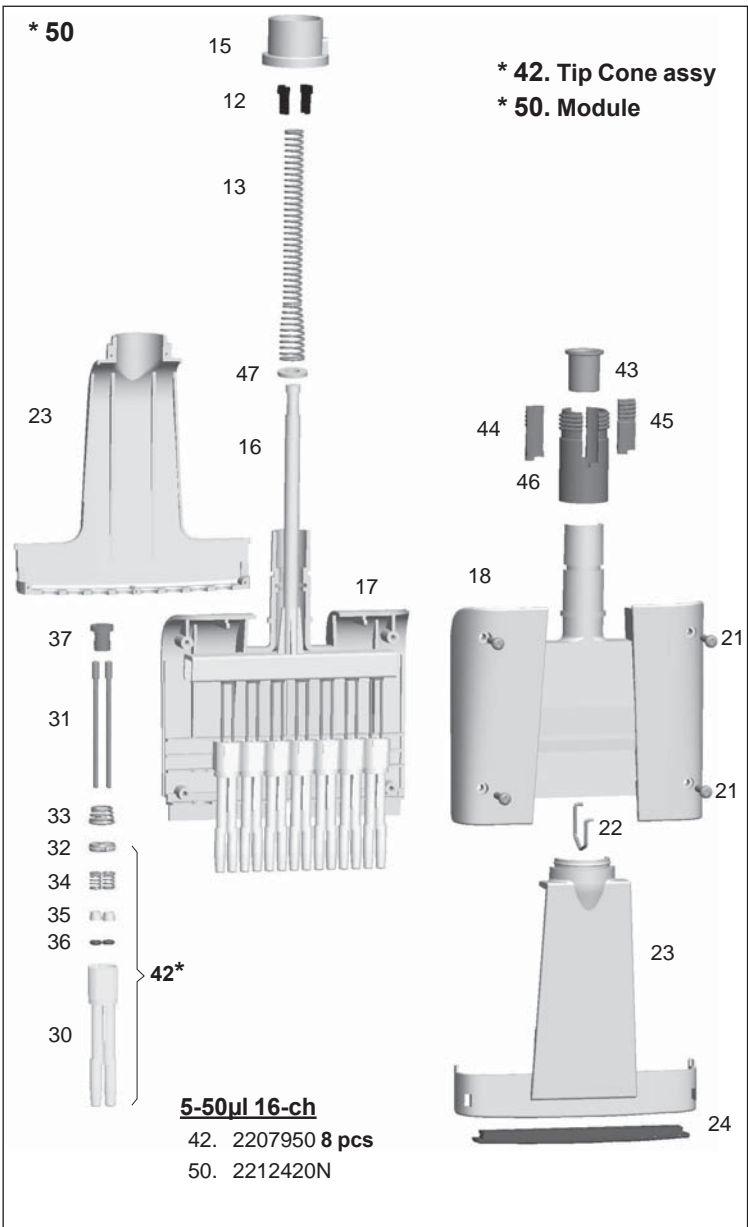
- 42. 2212440 12 pcs
- 50. 2212370N 8-ch
- 50. 2212380N 12-ch

5-50 μ l

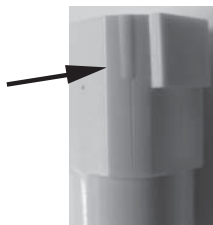
- 42. 2212750 12 pcs
- 50. 2212350N 8-ch
- 50. 2212360N 12-ch

*** 50**





Picture / Abbildung / Illustration /
 Imagen / 図



Finnpipette F1 and Finntip compatibility table

Kompatibilitätstabelle für Finnpipette F1 und Finntip-Spitzen

Tableau de compatibilité Finnpipette F1 et Finntip

Tabla de compatibilidades Finnpipette F1 y Finntip

Finnpipette F1とFinntip適合表

	Finntip (sterile and non-sterile)															
	10 Micro	10 Flex micro	20 Micro	50 Micro	250 Univ	200 Ext	200 Flex	300	300 Flex	1000 Ext	1000	1000 Flex	1200 Flex	5 ml	10ml	10ml Flex Ext
FP F1 0.2 - 2 µl	•	•	•	•												
FP F1 0.5 - 5 µl	•	•	•	•												
FP F1 1 - 10 µl micro	•	•	•	•												
FP F1 1 - 10 µl					•	•	•	•	•							
FP F1 2 - 20 µl micro			•	•												
FP F1 2 - 20 µl					•	•	•	•	•							
FP F1 5 - 50 µl micro				•												
FP F1 5 - 50 µl					•	•	•	•	•							
FP F1 10 - 100 µl					•	•	•	•	•							
FP F1 20 - 200 µl					•	•	•	•	•							
FP F1 30 - 300 µl								•	•							
FP F1 100 - 1000 µl										•	•	•	•			
FP F1 0.5 - 5 ml														•		
FP F1 1 - 10 ml															•	•
FP F1 Fixed Volume 10 µl					•	•	•	•	•							
FP F1 Fixed Volume 20 µl					•	•	•	•	•							
FP F1 Fixed Volume 25 µl					•	•	•	•	•							
FP F1 Fixed Volume 50 µl					•	•	•	•	•							
FP F1 Fixed Volume 100 µl					•	•	•	•	•							
FP F1 Fixed Volume 200 µl					•	•	•	•	•							
FP F1 Fixed Volume 250 µl										•	•	•	•			
FP F1 Fixed Volume 500 µl										•	•	•	•			
FP F1 Fixed Volume 1000 µl										•	•	•	•			
FP F1 Fixed Volume 2000 µl														•		
FP F1 Fixed Volume 3000 µl														•		
FP F1 Fixed Volume 5000 µl														•		
FP F1 Fixed Volume 10000 µl															•	•
FP F1 8-Ch 1-10 µl	•	•	•	•												
FP F1 12-Ch 1-10 µl	•	•	•	•												
FP F1 8-Ch 5-50 µl					•	•	•	•	•							
FP F1 12-Ch 5-50 µl					•	•	•	•	•							
FP F1 8-Ch 10-100 µl					•	•	•	•	•							
FP F1 12-Ch 10-100 µl					•	•	•	•	•							
FP F1 8-Ch 30-300 µl								•	•							
FP F1 12-Ch 30-300 µl								•	•							
FP F1 16-Ch 1-10 µl			•	•												
FP F1 16-Ch 5-50 µl			•	•												

Tip Ordering Information
Bestellinformation: Pipettenspitzen
Renseignements pour commander des cônes
Información para pedidos del portapuntas
チップの注文について

Code	Finntip	Volume	Qty
* 9400300	10 Micro	0,2-10 µl	10x96/rack
9400303	10 Micro sterile	0,2-10 µl	10x96/rack
* 94060100	Flex 10	0,2-10 µl	10x96/rack
94060103	Flex 10 sterile	0,2-10 µl	10x96/rack
* 9400610	20 Micro	0,2-20 µl	10x384/rack
9400613	20 Micro sterile	0,2-20 µl	10x384/rack
* 9400370	50 Micro	0,2-50 µl	10x384/rack
9400373	50 Micro sterile	0,2-50 µl	10x384/rack
* 9400133	200 Ext	5-200 µl	10x96/rack
9400133	200 Ext sterile	5-200 µl	10x96/rack
* 94060310	Flex 200	1-200 µl	10x96/rack
94060313	Flex 200 sterile	1-200 µl	10x96/rack
* 9400260	250 Univ.	0,5-250 µl	10x96/rack
9400263	250 Univ. sterile	0,5-250 µl	10x96/rack
* 9401250	300	5-300 µl	10x96/rack
9401253	300 sterile	5-300 µl	10x96/rack
* 94060510	Flex 300	5-300 µl	10x96/rack
94060513	Flex 300 sterile	5-300 µl	10x96/rack
* 9401110	1000	100-1000 µl	10x96/rack
9401113	1000 sterile	100-1000 µl	10x96/rack
* 94060710	Flex 1000	100-1000 µl	10x96/rack
94060713	Flex 1000 sterile	100-1000 µl	10x96/rack
* 9402070	5 ml	1-5 ml	5x54/rack
9402073	5 ml sterile	1-5 ml	5x54/rack
* 9402160	10 ml	1-10 ml	5x24/rack
9402163	10 ml sterile	1-10 ml	5x24/rack
94060970	Flex 10ml Ext	1-10 ml	100 pcs/bag
94060973	Flex 10ml Ext sterile	1-10 ml	50 pcs/bag

*** Also available in bags**

Code	Finntip Filter	Volume	Qty
94052000	10 Micro sterile	0,2-10 µl	10x96/rack
94056980	Flex 10 sterile	0,2-10 µl	10x96/rack
94052100	10 sterile	0,5-10 µl	10x96/rack
94052020	20 Micro sterile	0,2-20 µl	10x384/rack
94052150	20 sterile	0,5-20 µl	10x96/rack
94052160	30 sterile	0,5-30 µl	10x96/rack
94056510	Flex 30 sterile	5-30 µl	10x96/rack
94052060	50 Micro sterile	0,2-50 µl	10x384/rack
94052200	100 µl sterile	0,5-100 µl	10x96/rack
94052310	100 µl Ext sterile	5-100 µl	10x96/rack
94056520	Flex 100 sterile	5-100 µl	10x96/rack
94052300	200 µl sterile	0,5-200 µl	10x96/rack
94052320	200 µl Ext sterile	5-200 µl	10x96/rack
94056380	Flex 200 sterile	1-200 µl	10x96/rack
94052350	300 µl sterile	5-300 µl	10x96/rack
94056580	Flex 300 sterile	5-300 µl	10x96/rack
94052410	1000 µl sterile	100-1000 µl	10x96/rack
94052430	1000 µl Ext sterile	100-1000 µl	5x96/rack
94056710	Flex 1000 sterile	100-1000 µl	10x96/rack
94052550	5 ml sterile	1-5 ml	5x54/rack
94052600	10 ml sterile	1-10 ml	5x24/rack
94056970	Flex 10 ml Ext sterile	1-10 ml	50/bag

thermofisher.com
info.pipettes@thermofisher.com

© 2016 Thermo Fisher Scientific Inc. All rights reserved. All trademarks are the property of Thermo Fisher Scientific Inc. and its subsidiaries. Specifications, terms and pricing are subject to change. Not all products are available in all countries. Please consult your local sales representative for details.

Thermo Fisher Scientific

Ratastie 2, P.O.Box 100
FI-01621 Vantaa
Finland

1508980-02

Thermo
S C I E N T I F I C
Part of Thermo Fisher Scientific